

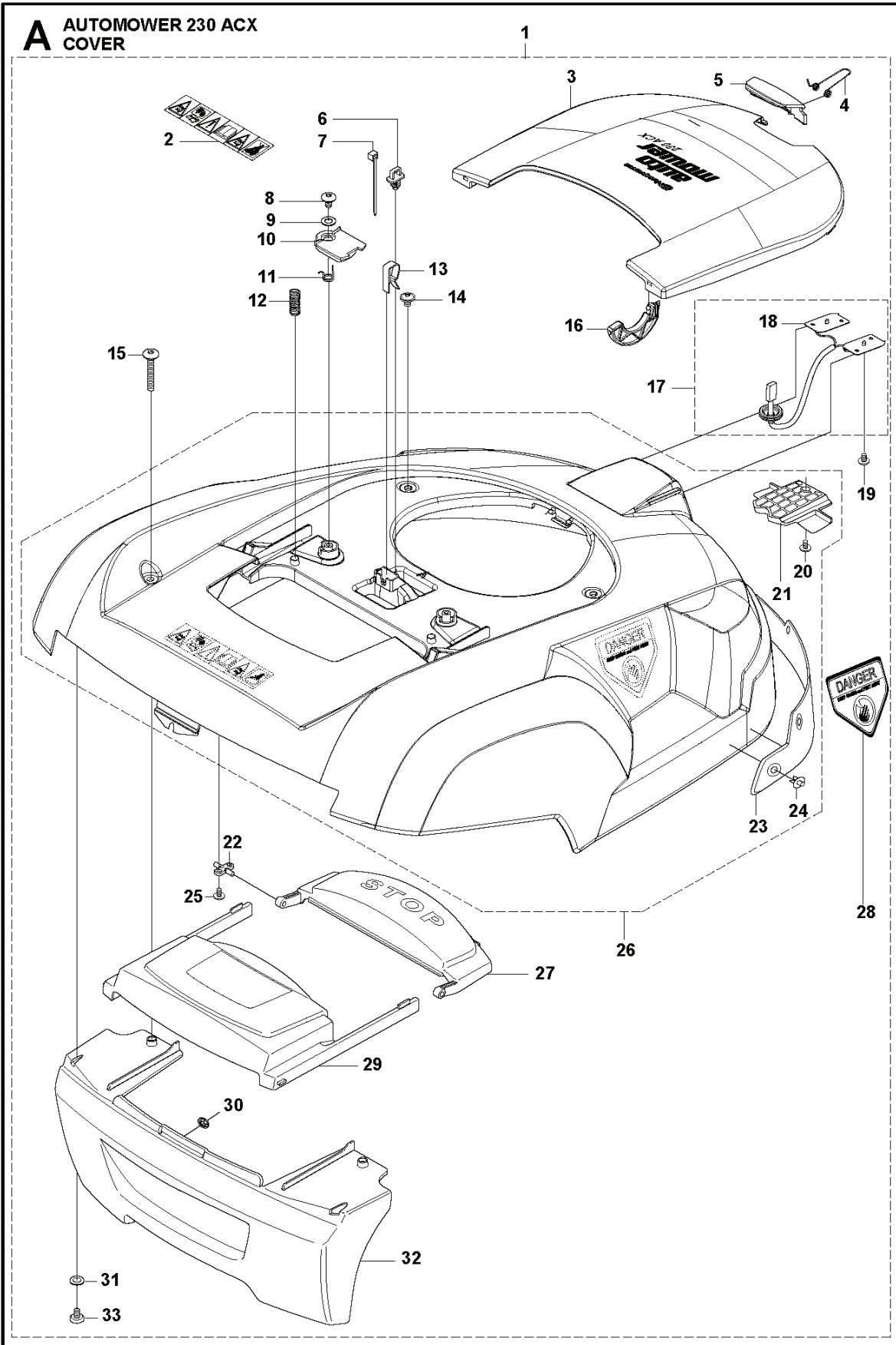
**HUSQVARNA - SPARE PARTS CATALOGUE**  
**: HUSQVARNA AUTOMOWER® 230 ACX LIMITED EDITION**

Spare parts list

---

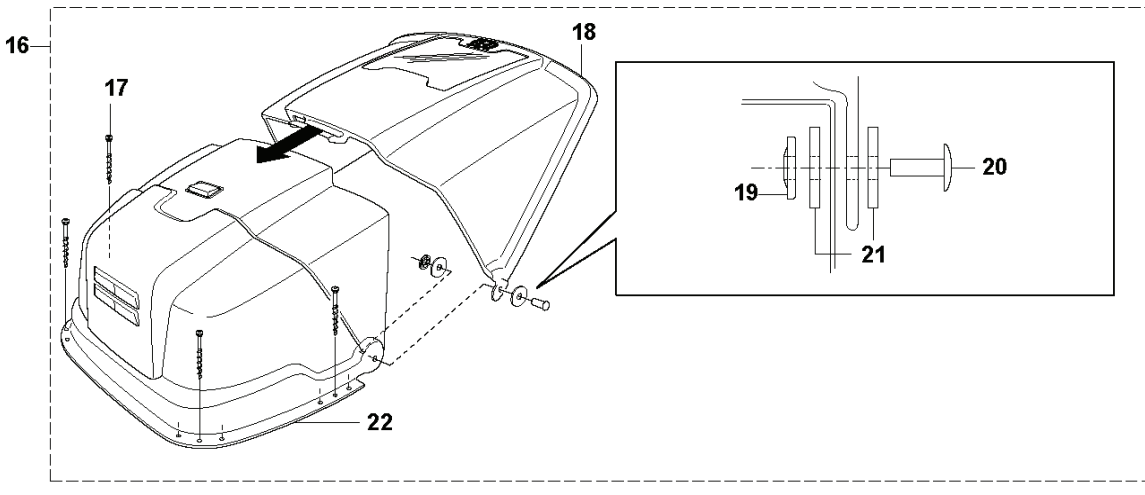
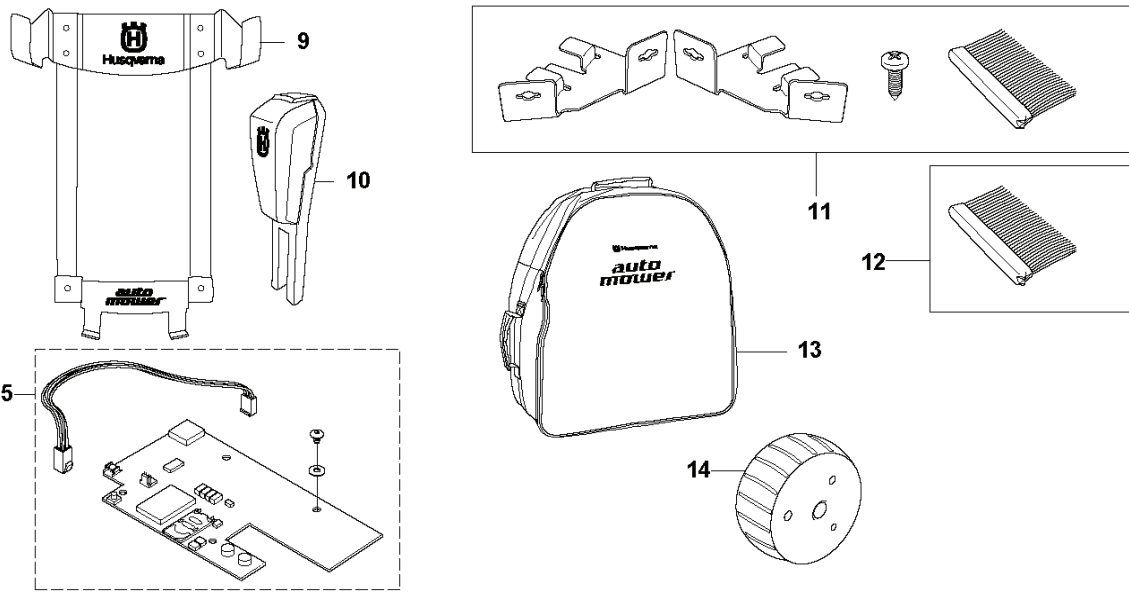
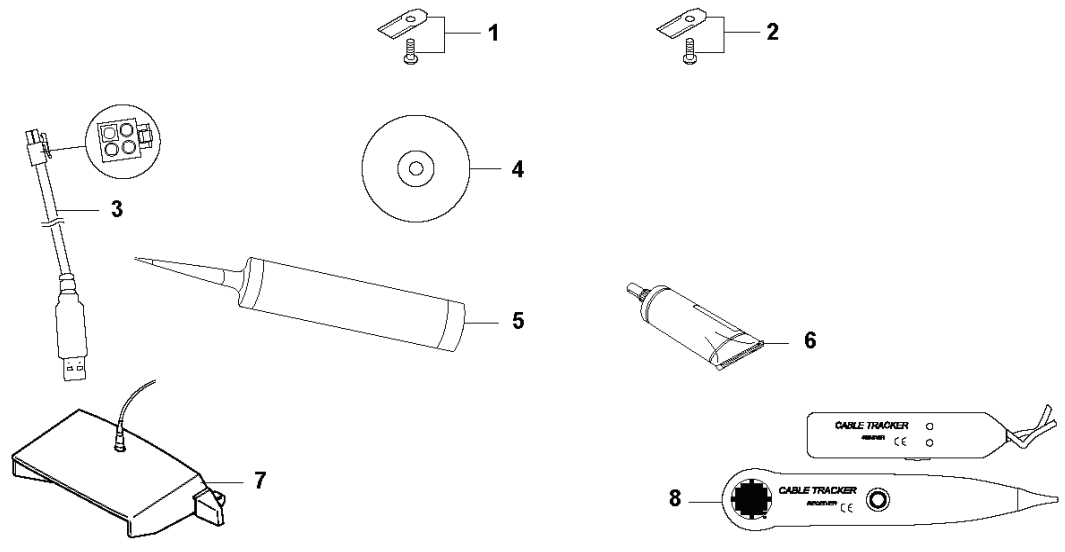
# **SPARE PARTS LIST**

**A** AUTOMOWER 230 ACX  
COVER



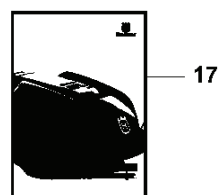
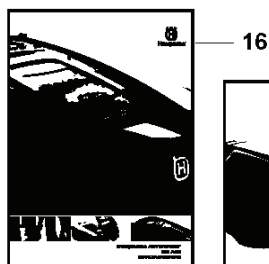
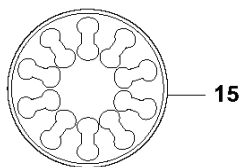
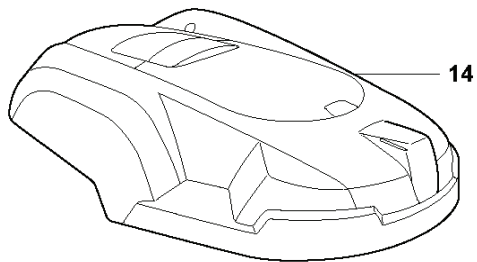
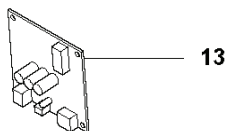
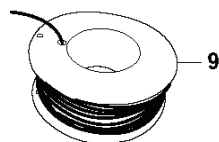
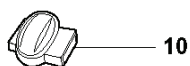
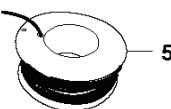
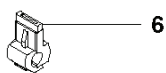
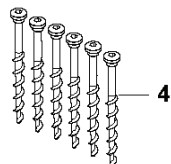
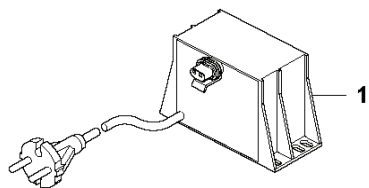
PXM_REF	PXM_PARTNO	DESCRIPTION	PXM_REMARK	QTY.
1	575619001	BODY KIT	complete kit	1
2	522792702	LABEL		1
3	544905901	COVER		1
4	535135701	TORSION SPRING		1
5	535134903	LOCK		1
6	535130401	ANCHOR		1
7	900238708	TIE WRAP		1
8	575543310	SCREW		2
9	734113741	WASHER		2
10	535126801	CLAMP		2
11	535130201	TORSION SPRING		2
12	535130101	SPRING		2
13	535089801	CLIP		1
14	535076002	SCREW		2
15	535129305	SCREW IH PANM		2
16	535135301	PIVOT		2
17	535137301	WIRING	compl	1
18	535135901	CHARGING PLATE		2 17
19	575543306	SCREW		2
20	575543312	SCREW		1 26
21	505131401	SPACER		1 26
22	535127801	SHAFT		2
23	544907102	BUMPER		1 26
24	535080901	RIVET		6 26
25	575543310	SCREW		4
26	510096702	BODY	compl	1
27	535126702	SWITCH		1
28	513996100	DECAL		1
29	535126602	COVER		1
30	735585209	WASHER		1
31	734113741	WASHER		2
32	574430901	BUMPER		1
33	575543314	SCREW		2

# H AUTOMOWER 230 ACX ACCESSORIES



PXM_REF	PXM_PARTNO	DESCRIPTION	PXM_REMARK	QTY.
1	535138702	BLADE SET	Carbon steel, 9pcs	1
1	577864401	BLADE SET	Carbon steel, Blister Pack, 9pcs	1
1	535138802	BLADE SET	Carbon steel, 30pcs	1
1	505127802	BLADE SET	Carbon steel, 500pcs	1
2	577606402	BLADE SET	Carbon steel, Thick, 9pcs	1
2	577864601	BLADE SET	Carbon steel, Thick, Blister Pack, 9pcs	1
2	577606502	BLADE SET	Carbon steel, Thick, 30pcs	1
2	577606602	BLADE SET	Carbon steel, Thick, 300pcs	1
3	535132302	WIRING	(USB)	1
4	577858102	DVD		1
5	578051302	GREASE	Yellow (300 ml)	1
5	579381902	GREASE	Transparent (300 ml)	1
6	578051301	GREASE	Yellow (85 ml)	1
6	579381901	GREASE	Transparent (85 ml)	1
7	522736501	ADAPTER	code transfer unit	1
8	577606801	TEST EQUIPMENT		1
9	504821301	WALL HANGER		1
10	522425801	BOOSTER		1
11	505132701	BRUSH KIT	Incl Brush, 6pcs	1
11	577865001	BRUSH KIT	Incl Brush, Blister Pack, 6pcs	1
12	505132802	BRUSH	6pcs	1
13	522916701	BAG		1
14	575231702	WHEEL KIT	(400g)	1
14	577865101	WHEEL KIT	(400g), Blister pack, 2pcs	1
15	575242402	GPS MODULE	compl GPS module	1
16	504821401	HOUSING	compl	1
17	575238601	SCREW KIT	6pcs	1 16
18	505250701	KIT		2 16
19	505188101	LOCKWASHER		2 16
20	505123601	PEN		4 16
21	505229401	WASHER		1 16
22	505123201	HOUSING		1 16

# G AUTOMOWER 230 ACX ACCESSORIES



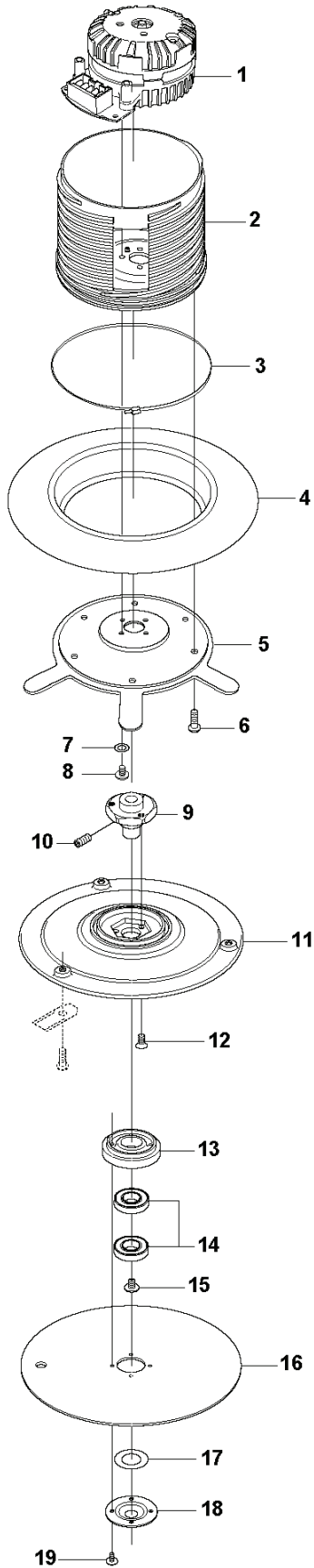
PXM_REF	PXM_PARTNO	DESCRIPTION	PXM_REMARK	QTY.
1	501004401	POWER UNIT	TRANSFORMER (EU)	1
1	501004402	POWER UNIT	TRANSFORMER (UK/IRL)	1
1	501004403	POWER UNIT	TRANSFORMER (CH)	1
1	501004404	TRANSFORMER	TRANSFORMER (US/MX)	1
1	501004405	TRANSFORMER	TRANSFORMER (AU/NZ)	1
2	504049701	STAPLE	STAPLE, 100pcs	1
2	577864201	STAPLE	STAPLE, Blister pack, 100pcs	1
3	535127306	CABLE	WIRING (20m)	1
4	575238601	SCREW KIT	SCREW KIT, 6pcs	1
4	577864901	SCREW	SCREW KIT, Blister Pack, 3pcs	2
5	501980302	WIRE	WIRE (150m)	1
5	577864301	WIRE	WIRE, Blister pack, (150m)	1
6	535129001	CONNECTOR	LOOP WIRE CONNECTOR	1
6	577864801	CONNECTOR	LOOP WIRE CONNECTOR, Blister Pack, 5pcs	1
7	501980301	WIRE	WIRE (250m)	1
8	501980201	COUPLER	COUPLER	1
8	577864701	COUPLER	COUPLER, Blister pack, 5pcs	1
9	522914101	WIRE	WIRE (500m, Ø3.4 mm)	1
10	501980202	COUPLER	COUPLER, 50pcs	1
11	544177501	MEASURING TAPE	MEASURING TAPE	1
12	535131601	LABEL	LABEL	1
13	584822001	CIRCUIT BOARD ASSY	CS CB Thunder lightning protection	1
14	575242601	BODY KIT	COVER, complete kit, Earth, dark brown metallic	1
14	575242602	BODY KIT	COVER, complete kit, Air, white metallic	1
14	575242603	BODY KIT	COVER, complete kit, Water, dark blue metallic	1
14	575242604	BODY KIT	COVER, complete kit, Fire, orange metallic	1
15	581842801	STICKER	STICKER, Cable markers	1
16	115533801	OPERATOR'S MANUAL	Swedish	1
16	115533806	OPERATOR'S MANUAL	Danish	1
16	115533811	OPERATOR'S MANUAL	Finnish	1
16	115533821	OPERATOR'S MANUAL	Norwegian	1
16	115533826	OPERATOR'S MANUAL	English	1
16	115533831	OPERATOR'S MANUAL	French	1
16	115533832	OPERATOR'S MANUAL	French (Canada)	1
16	115533836	OPERATOR'S MANUAL	Dutch	1
16	115533841	OPERATOR'S MANUAL	Italian	1
16	115533846	OPERATOR'S MANUAL	Spanish	1
16	115533851	OPERATOR'S MANUAL	German	1
16	115533856	OPERATOR'S MANUAL	Russian	1
16	115533858	OPERATOR'S MANUAL	Hungarian	1
16	115533859	OPERATOR'S MANUAL	Portuguese	1
16	115533861	OPERATOR'S MANUAL	Polish	1
16	115533862	OPERATOR'S MANUAL	Romanian	1
16	115533863	OPERATOR'S MANUAL	Estonian	1
16	115533864	OPERATOR'S MANUAL	Lettish	1
16	115533865	OPERATOR'S MANUAL	Lithuanian	1
16	115533868	OPERATOR'S MANUAL	Slovak	1
16	115533871	OPERATOR'S MANUAL	Greek	1
16	115533876	OPERATOR'S MANUAL	Turkish	1
16	115533881	OPERATOR'S MANUAL	Croatian	1
16	115533884	OPERATOR'S MANUAL	Slovenian	1
16	115533890	OPERATOR'S MANUAL	Czech	1
16	115533895	OPERATOR'S MANUAL	English (EPA, CARB)	1
16	115533896	OPERATOR'S MANUAL	Spanish (USA)	1
17	115130501	INSTRUCTION	Swedish	1
17	115130506	INSTRUCTION	Danish	1
17	115130511	INSTRUCTION	Finnish	1
17	115130521	INSTRUCTION	Norwegian	1
17	115130526	INSTRUCTION	English	1
17	115130531	INSTRUCTION	French	1
17	115130532	TBD	French (Canada)	1
17	115130536	INSTRUCTION	Dutch	1
17	115130541	INSTRUCTION	Italian	1
17	115130546	INSTRUCTION	Spanish	1
17	115130551	INSTRUCTION	German	1
17	115130556	INSTRUCTION	Russian	1
17	115130558	INSTRUCTION	Hungarian	1
17	115130559	INSTRUCTION	Portuguese	1
17	115130561	INSTRUCTION	Polish	1
17	115130562	INSTRUCTION	Romanian	1
17	115130563	INSTRUCTION	Estonian	1
17	115130564	INSTRUCTION	Lettish	1



---

PXM_REF	PXM_PARTNO	DESCRIPTION	PXM_REMARK	QTY.
17	115130565	INSTRUCTION	Lithuanian	1
17	115130568	INSTRUCTION	Slovak	1
17	115130571	INSTRUCTION	Greek	1
17	115130576	INSTRUCTION	Turkish	1
17	115130581	INSTRUCTION	Croatian	1
17	115130584	INSTRUCTION	Slovenian	1
17	115130590	INSTRUCTION	Czech	1
17	115130595	INSTRUCTION	English (EPA, CARB)	1
17	115130596	TBD	Spanish (USA)	1

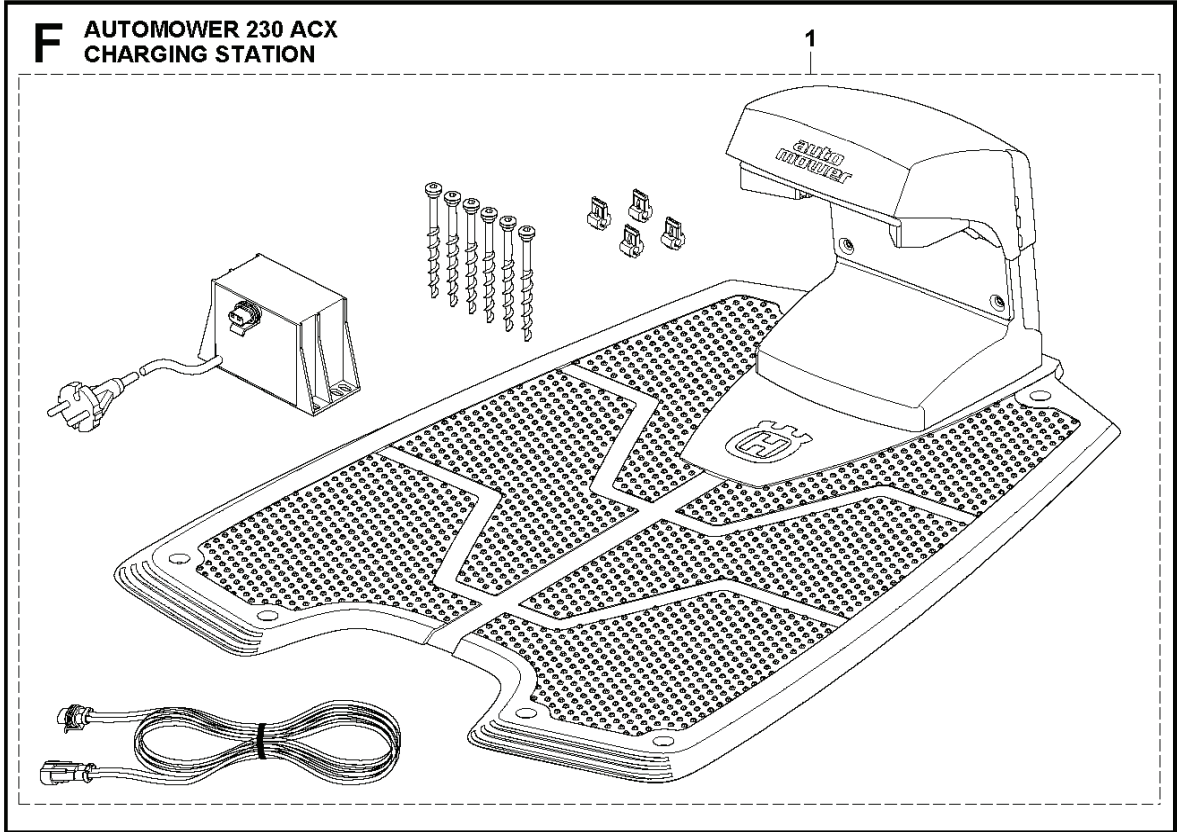
**D** AUTOMOWER 230 ACX  
BLADE MOTOR  
& CUTTING EQUIPMENT



---

PXM_REF	PXM_PARTNO	DESCRIPTION	PXM_REMARK	QTY.
1	535123601	MOTOR ASSY		1
2	510144101	MOTOR BOWL		1
3	525251401	TIE WRAP		1
4	535122301	RUBBER GAITERS		1
5	522771502	PLATE		1
6	575543314	SCREW		6
7	734113741	WASHER		4
8	502239101	SCREW		4
9	535075501	HUB		1
10	728828501	SCREW IHSETM		1
11	535126301	CUTTING DISC		1
12	535130501	SCREW		3
13	535126401	HOUSING		1
14	535075702	BALL BEARING		1
14	593080801	BALL BEARING	Tube 50 pcs	1
15	535076001	SCREW		1
16	535075901	SKID PLATE		1
17	535082501	GASKET		1
18	535081501	COVER WASHER		1
19	575543310	SCREW		4

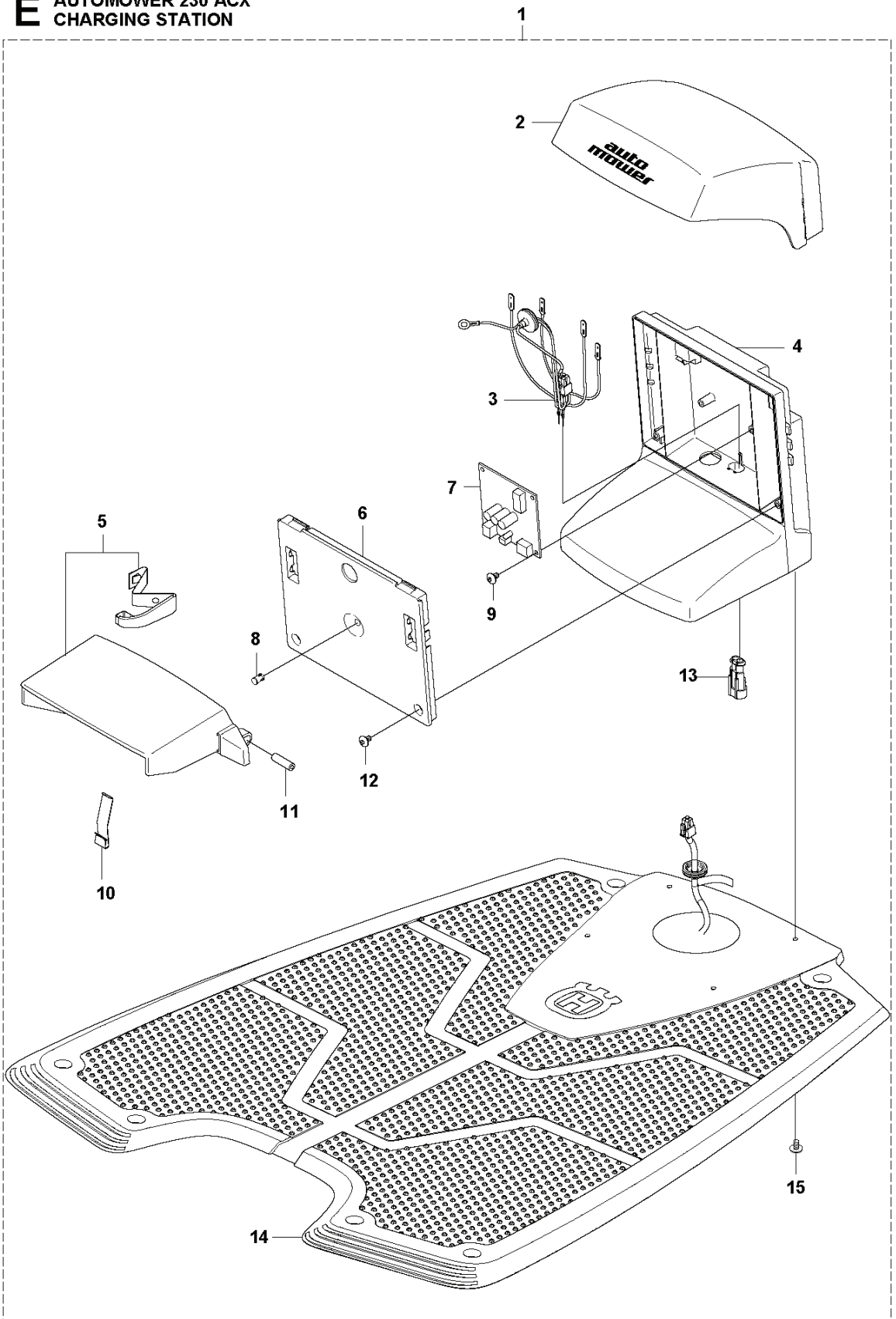
**F** AUTOMOWER 230 ACX  
CHARGING STATION



---

PXM_REF	PXM_PARTNO	DESCRIPTION	PXM_REMARK	QTY.
1	575550801	CHARGING STATION	(EU)	1
1	575550802	CHARGING STATION	(UK/IRL)	1
1	575550803	CHARGING STATION	(CH)	1
1	575550804	CHARGING STATION	(US/CA/MX)	1
1	575550805	CHARGING STATION	(AU/NZ)	1

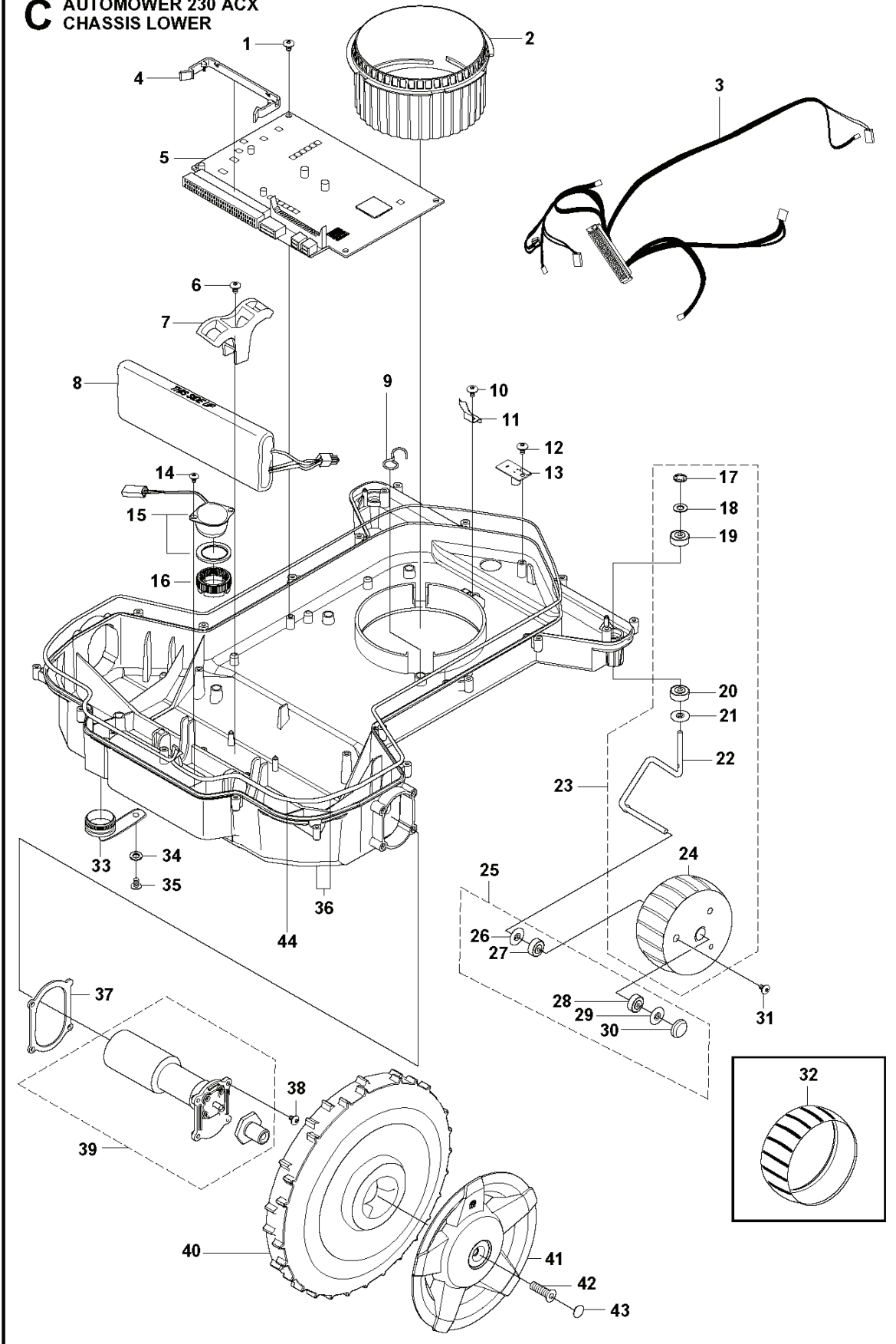
**E** AUTOMOWER 230 ACX  
CHARGING STATION



---

PXM_REF	PXM_PARTNO	DESCRIPTION	PXM_REMARK	QTY.
1	574902002	CHARGING STATION		1
1	574902005	CHARGING STATION	(CH)	1
2	535124702	COVER		1
3	544983807	WIRING ASSY		1
3	544983809	WIRING ASSY	(CH)	1
4	574827501	BODY		1
5	510059702	CONSOLE ASSY	Charging Plate	1
6	535124401	HUB CAP		1
7	578788401	PRINTED CIRCUIT ASSY		1
7	578788601	PRINTED CIRCUIT ASSY	(CH)	1
8	535128702	DIODE LENS		1
9	575543310	SCREW		2
10	535128601	SPRING PLATE		2
11	535125001	PEN		2
12	575543314	SCREW		2
13	535128501	CONTACT		1
14	575231601	CHARGING PLATE		1
15	575543314	SCREW		4

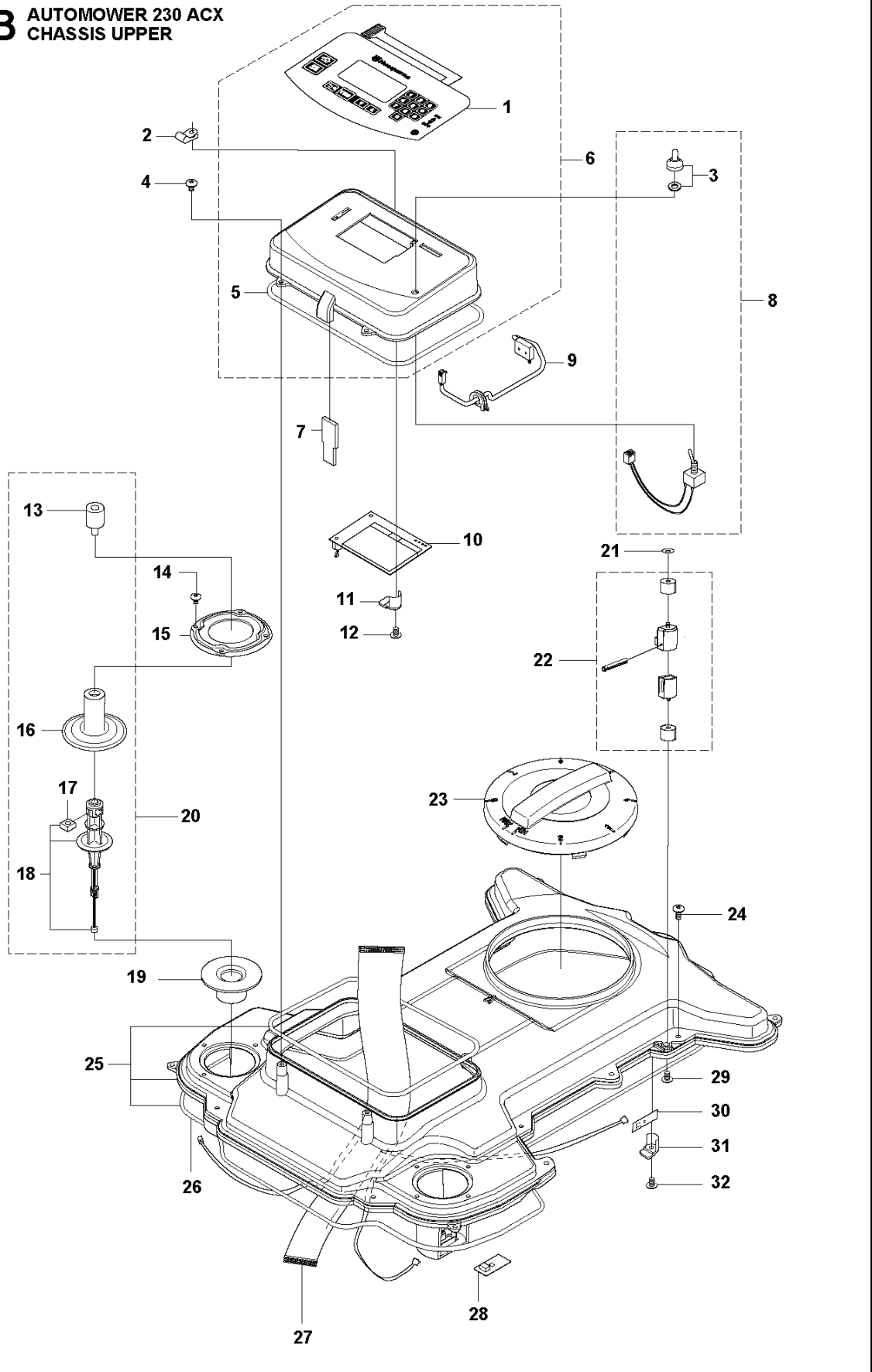
**C** AUTOMOWER 230 ACX  
CHASSIS LOWER





PXM_REF	PXM_PARTNO	DESCRIPTION	PXM_REMARK	QTY.
1	575543310	SCREW		4
2	535122102	NUT		1
3	501003703	WIRING ASSY		1
4	578056101	CLIP		1
4	578056102	CLIP		50
5	592852101	PRINTED CIRCUIT ASSY		1
6	575543314	SCREW		2
7	544907801	BRACKET		2
8	535120902	BATTERY		2
9	535139601	CABLE HOLDER		1
10	535130314	SCREW ITXPANT		1
11	535122401	LOCKING SPRING		1
12	575543310	SCREW		2
13	578788803	PRINTED CIRCUIT ASSY		2
14	502859601	SCREW		2
15	501004201	LOUD SPEAKER		1
16	579521201	NUT		1
17	735584109	WASHER		2 23
18	734115209	WASHER		2 23
19	593081101	BALL BEARING	Tube 50 pcs	1
19	522505001	BALL BEARING		2 23
20	522505001	BALL BEARING		2 23
21	535087802	WASHER		2 23
22	522504801	SPINDLE		2 23
23	522664502	WHEEL KIT	compl	1
24	575231701	WHEEL ASSY		2 23
25	523343701	BEARING KIT	compl	1 23
26	535087802	WASHER		2
27	522505001	BALL BEARING		2
28	522505001	BALL BEARING		2
29	535087802	WASHER		2
30	521933101	COVER WASHER		2
31	575507601	SCREW ITXPANT		6
32	574449801	WHEEL		2
33	574427402	PLUG		1
34	734113741	WASHER		1
35	575543314	SCREW		1
36	575943901	CHASSIS		1
37	535139203	GASKET		2
38	575543316	SCREW		8
39	544907003	WHEEL MOTOR ASSY	compl	2
40	544905804	REAR WHEEL		2
41	544905102	HUB CAP		2
42	535139401	SCREW IHCSFM		2
43	504200801	COVER WASHER		2
44	575986201	SEALING STRIP	10 pcs	1
44	574874701	SEALING STRIP		1

**B** AUTOMOWER 230 ACX  
CHASSIS UPPER



PXM_REF	PXM_PARTNO	DESCRIPTION	PXM_REMARK	QTY.
1	544899802	KEYBOARD		1 6
2	577527201	CABLE CLAMP		1
3	535101701	SWITCH		1 8
4	574450101	SCREW ITXPANT		4
5	575986301	SEALING STRIP	(10 pcs)	1 6
5	574874702	SEALING STRIP		1
6	575944202	DISPLAY COVER	compl	1
7	535144701	FILTER		1
8	535123901	MAIN SWITCH	compl	1
9	577592301	SWITCH KIT		1
10	540060303	DISPLAY		1
11	535127901	BRACKET		1
12	575543314	SCREW		1
13	577670601	DAMPER		2 20
14	575543314	SCREW		8
15	505174301	DUST SEAL		2
16	577525801	RUBBER GAITERS		2 20
17	503226601	SQUARE NUT		2 20
18	579248801	COLUMN		2 20
19	535143201	DEFLECTION LIMITER		2
20	577598403	COLUMN	compl	2
21	510747000	LOCKWASHER		1
22	544141501	SENSOR		1
23	535122201	STEERING WHEEL		1
24	574450101	SCREW ITXPANT		16
25	575943801	CHASSIS		1
26	575986201	SEALING STRIP	(10 pcs)	1
26	574874701	SEALING STRIP		1
27	544126901	WIRING ASSY		1
28	578789001	PRINTED CIRCUIT ASSY		2
29	535076002	SCREW		2
30	578789001	PRINTED CIRCUIT ASSY		1
31	535127901	BRACKET		1
32	575543314	SCREW		1