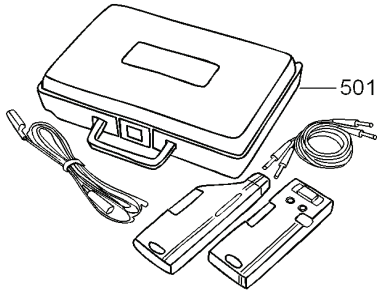


HUSQVARNA - SPARE PARTS CATALOGUE
: HUSQVARNA AUTOMOWER® 230 ACX

Spare parts list

SPARE PARTS LIST

H Accessories
Zubehöre
Accessoires
Accesorios
Tillbehör

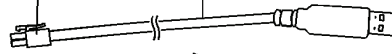


- 535 13 87-01 (9 pcs Original)
- 535 13 88-01 (30 pcs Original)
- 505 12 78-01 (500 pcs Original)

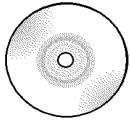
- 535 13 87-02 (9 pcs)
- 535 13 88-02 (30 pcs)
- 505 12 78-02 (500 pcs)



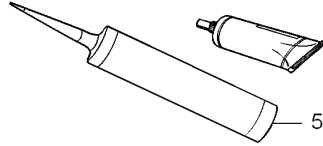
Automower-PC Cable (USB)
 535 13 23-02



- 522 85 16-02 (9 pcs)
- 522 85 17-02 (30 pcs)
- 522 85 18-02 (300 pcs)

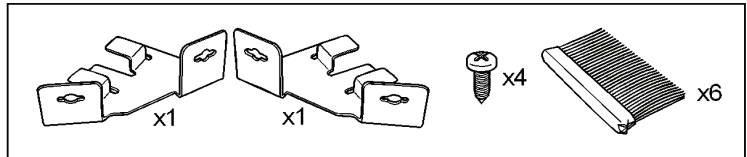
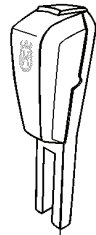
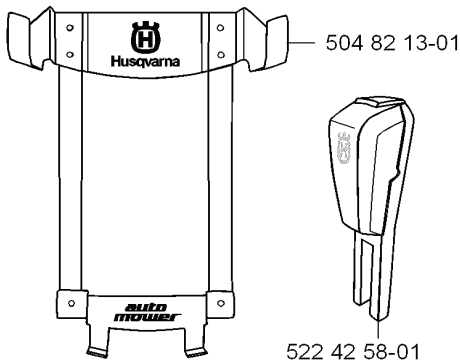


535 14 27-07 CD Autocheck 2009



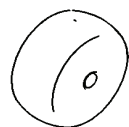
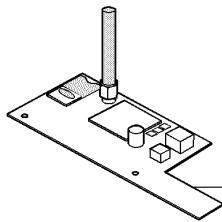
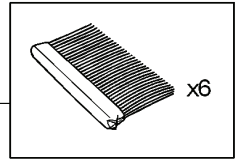
535 14 12-01 (85 ml)

535 14 12-02 (300 ml)

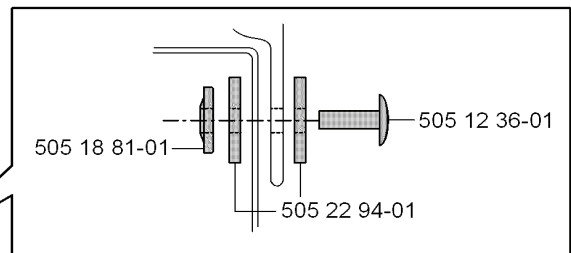
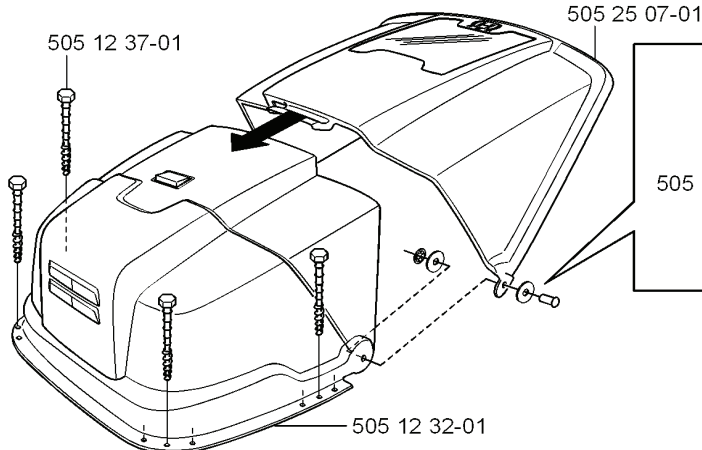


505 13 27-01

505 69 99-91 (Elux Green)
 522 91 67-01 (HQ Blue)

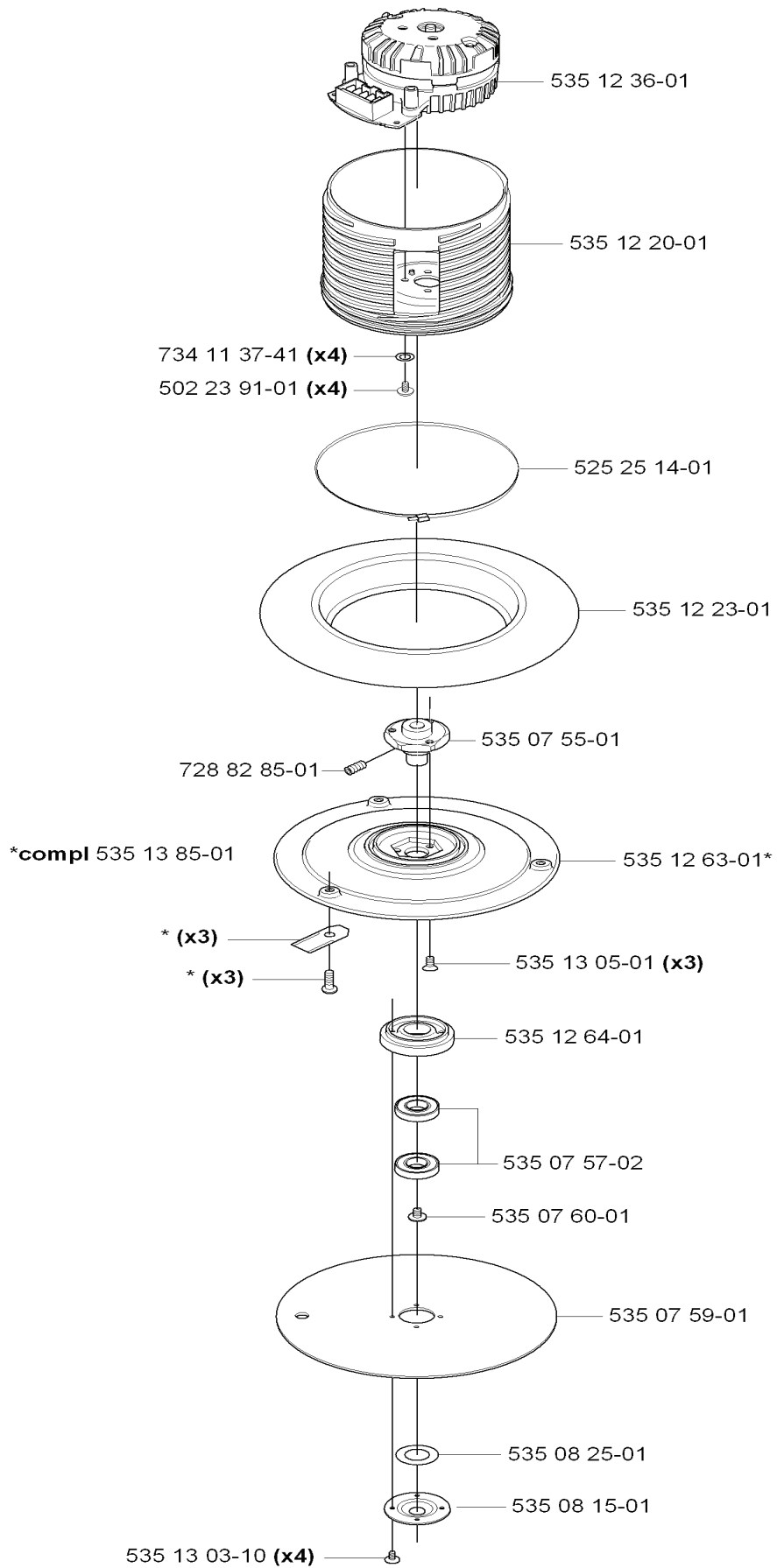


compl 504 82 14-01



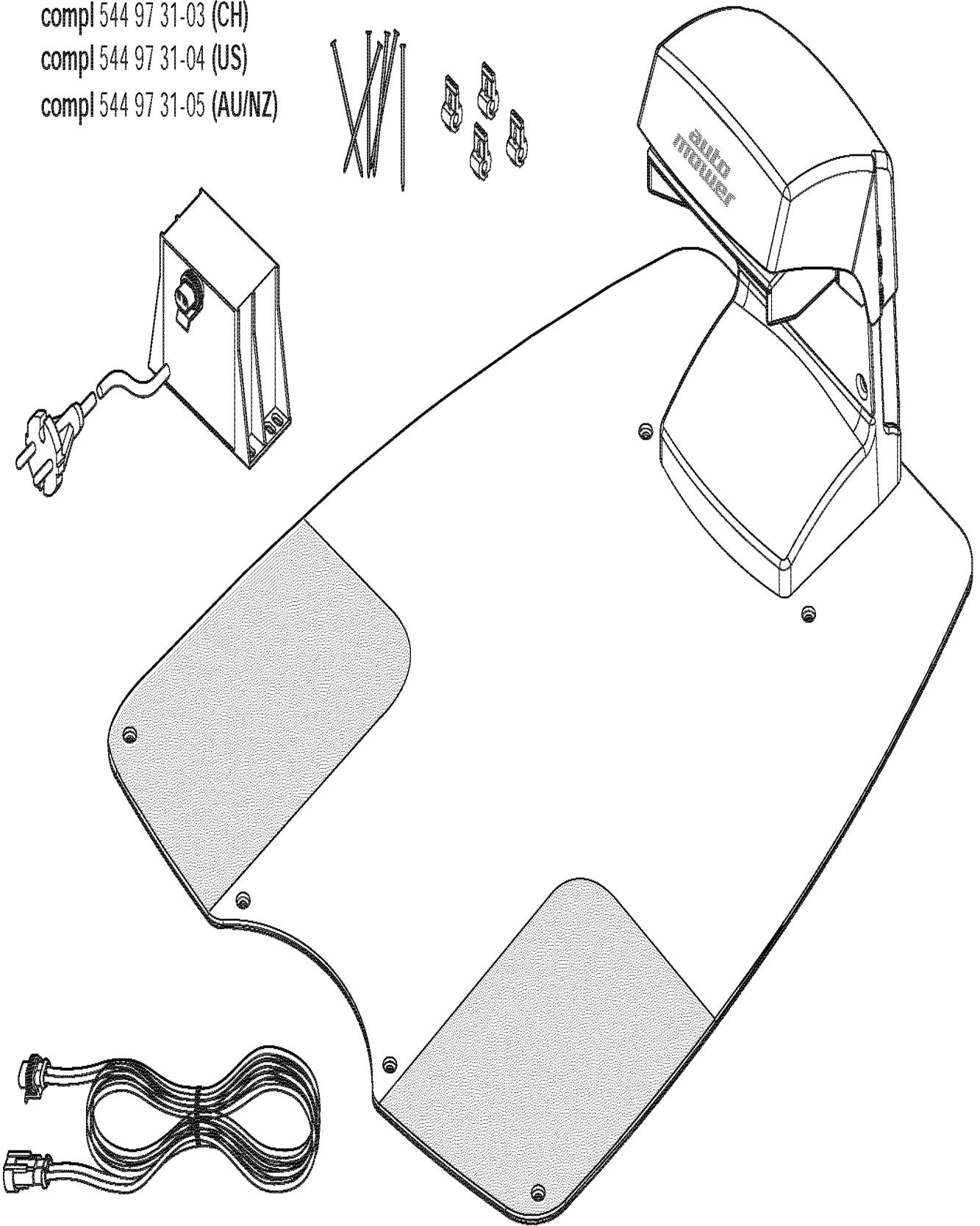
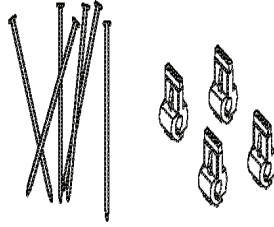
| PXM_REF | PXM_PARTNO | DESCRIPTION | PXM_REMARK | QTY. |
|-------------|------------|----------------|------------|------|
| 535 1387-01 | 535138701 | BLADE | | 1 |
| 535 1388-01 | 535138801 | KIT | | 1 |
| 505 1278-01 | 505127801 | BLADE SET | | 1 |
| 501 0018-01 | 501001801 | TEST EQUIPMENT | | 1 |
| 535 1427-07 | 535142707 | CD | | 1 |
| 504 8213-01 | 504821301 | WALL HANGER | | 1 |
| 522 4258-01 | 522425801 | BOOSTER | | 1 |
| 522 5164-01 | 522516401 | GSM MODULE | | 1 |
| 504 8214-01 | 504821401 | HOUSING | | 1 |
| 505 1237-01 | 505123701 | ANCHOR | | 1 |
| 505 1232-01 | 505123201 | HOUSING | | 1 |
| 505 2294-01 | 505229401 | WASHER | | 1 |
| 505 1236-01 | 505123601 | PEN | | 1 |
| 505 1881-01 | 505188101 | LOCKWASHER | | 1 |
| 505 2507-01 | 505250701 | KIT | | 1 |
| 510 2099-01 | 510209901 | WHEEL | | 1 |
| 522 9167-01 | 522916701 | BAG | | 1 |
| 505 6999-91 | 505699991 | BAG | | 1 |
| 505 1328-01 | 505132801 | BRUSH | | 1 |
| 505 1327-01 | 505132701 | BRUSH KIT | | 1 |
| 535 1412-02 | 535141202 | SEALING | | 1 |
| 535 1412-01 | 535141201 | SEALING | | 1 |
| 535 1323-02 | 535132302 | WIRING | | 1 |
| 522 8518-02 | 522851802 | BLADE SET | | 1 |
| 522 8517-02 | 522851702 | BLADE SET | | 1 |
| 522 8516-02 | 522851602 | BLADE SET | | 1 |
| 505 1278-02 | 505127802 | BLADE SET | | 1 |
| 535 1388-02 | 535138802 | BLADE SET | | 1 |
| 535 1387-02 | 535138702 | BLADE SET | | 1 |

D

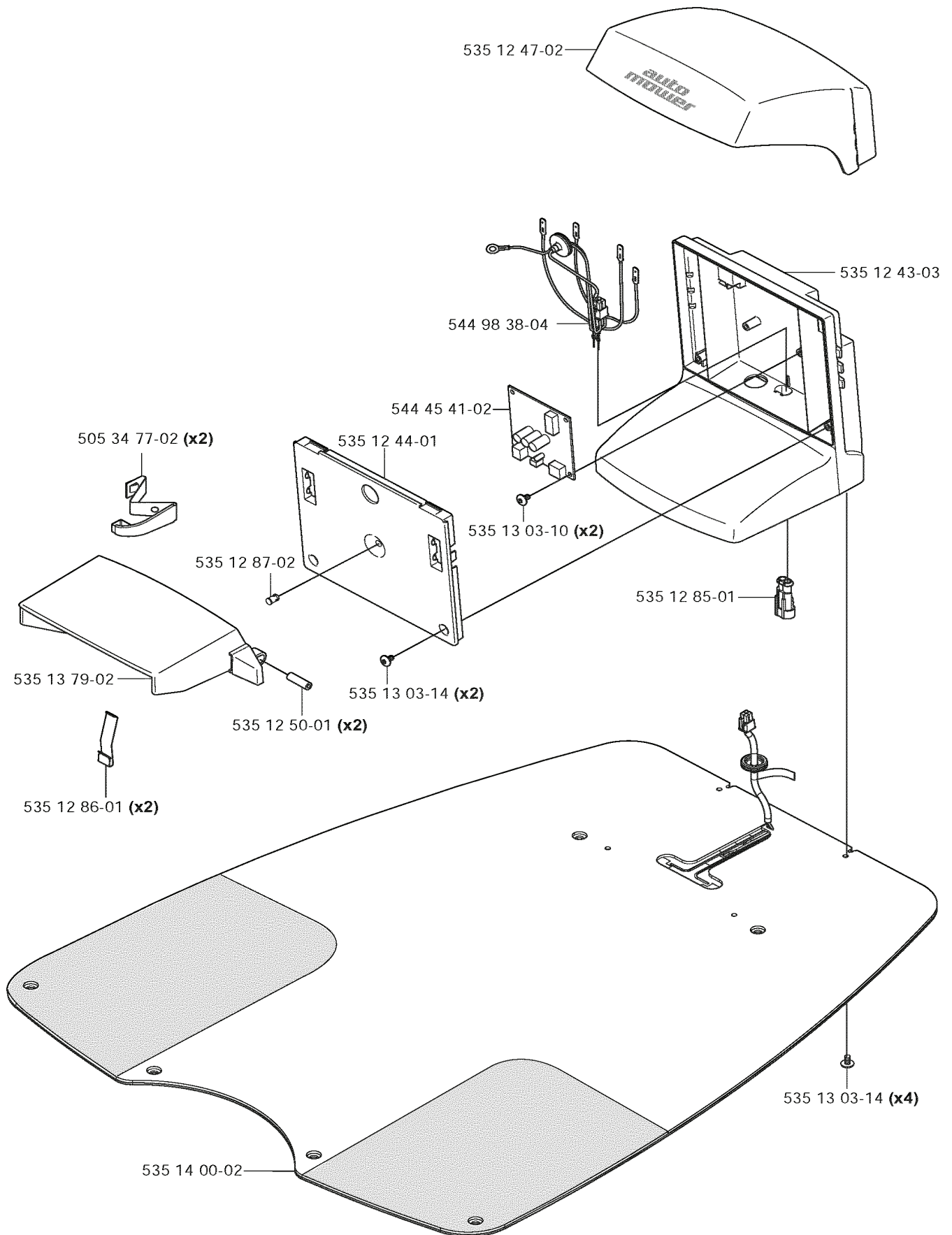


| PXM_REF | PXM_PARTNO | DESCRIPTION | PXM_REMARK | QTY. |
|--------------|------------|----------------|-------------|------|
| 734 11 37-41 | 734113741 | WASHER | | 4 |
| 502 23 91-01 | 502239101 | SCREW | | 4 |
| 728 82 85-01 | 728828501 | SCREW IHSETM | | 1 |
| 535 13 85-01 | 535138501 | KIT | | 1 |
| 535 13 03-10 | 535130310 | SCREW ITPANT | | 4 |
| 535 08 15-01 | 535081501 | COVER WASHER | | 1 |
| 535 08 25-01 | 535082501 | GASKET | | 1 |
| 535 07 59-01 | 535075901 | SKID PLATE | | 1 |
| 535 07 60-01 | 535076001 | SCREW | | 1 |
| 535 07 57-02 | 593080801 | BALL BEARING | Tube 50 pcs | 1 |
| 535 07 57-02 | 535075702 | BALL BEARING | | 1 |
| 535 12 64-01 | 535126401 | HOUSING | | 1 |
| 535 13 05-01 | 535130501 | SCREW | | 3 |
| 535 12 63-01 | 535126301 | CUTTING DISC | | 3 |
| 535 07 55-01 | 535075501 | HUB | | 1 |
| 535 12 23-01 | 535122301 | RUBBER GAITERS | | 1 |
| 525 25 14-01 | 525251401 | TIE WRAP | | 1 |
| 535 12 20-01 | 535122001 | MOTOR BOWL | | 1 |
| 535 12 36-01 | 535123601 | MOTOR ASSY | | 1 |

- F** compl 544 97 31-01 (EU)
compl 544 97 31-02 (UK)
compl 544 97 31-03 (CH)
compl 544 97 31-04 (US)
compl 544 97 31-05 (AU/NZ)

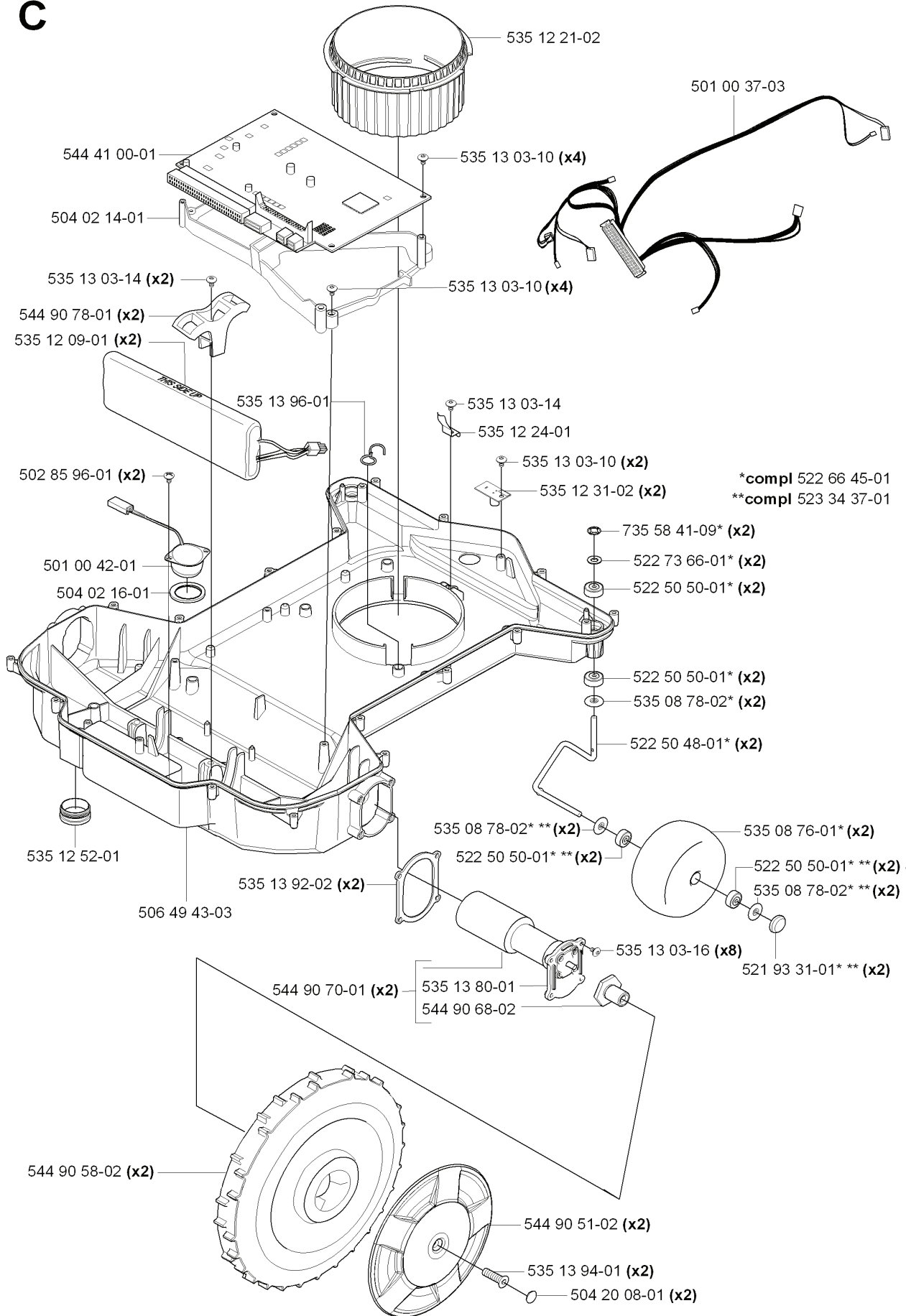


| PXM_REF | PXM_PARTNO | DESCRIPTION | PXM_REMARK | QTY. |
|--------------|------------|------------------|------------|------|
| 544 97 31-01 | 544973101 | CHARGING STATION | | 1 |
| 544 97 31-02 | 544973102 | CHARGING STATION | | 1 |
| 544 97 31-03 | 544973103 | CHARGING STATION | | 1 |
| 544 97 31-04 | 544973104 | CHARGING STATION | | 1 |
| 544 97 31-05 | 544973105 | CHARGING STATION | | 1 |



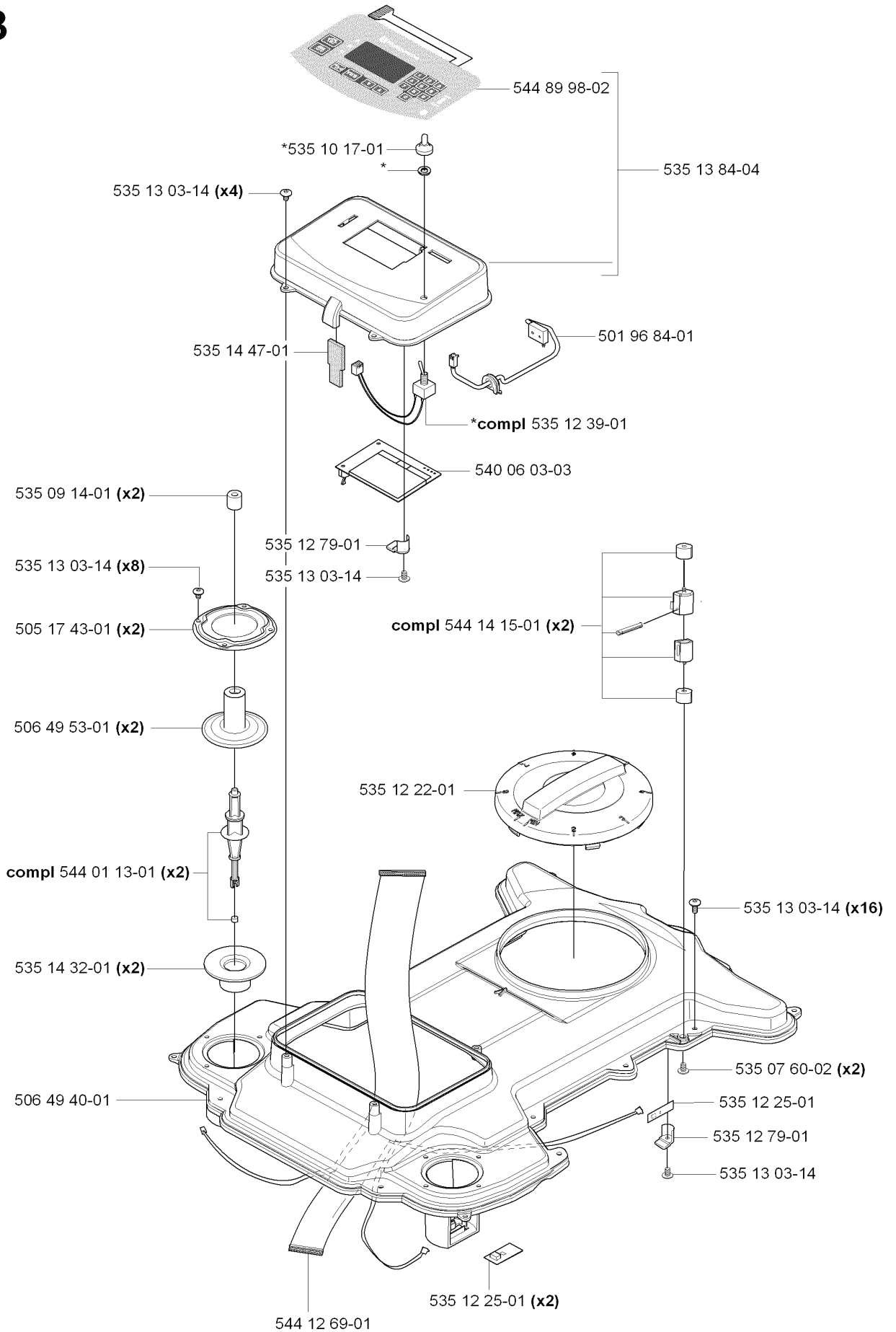
| PXM_REF | PXM_PARTNO | DESCRIPTION | PXM_REMARK | QTY. |
|--------------|------------|------------------|------------|------|
| 504 05 37-01 | 504053701 | CHARGING STATION | | 1 |
| 505 34 77-02 | 505347702 | CHARGING PLATE | | 2 |
| 535 13 79-02 | 535137902 | RETAINER | | 1 |
| 535 12 86-01 | 535128601 | SPRING PLATE | | 2 |
| 535 14 00-02 | 535140002 | FRAME PLATE | | 1 |
| 535 12 50-01 | 535125001 | PEN | | 2 |
| 535 12 87-02 | 535128702 | DIODE LENS | | 1 |
| 535 12 44-01 | 535124401 | HUB CAP | | 1 |
| 544 98 38-04 | 544983804 | WIRING ASSY | | 1 |
| 535 12 47-02 | 535124702 | COVER | | 1 |
| 535 13 03-10 | 535130310 | SCREW ITPANT | | 2 |
| 535 13 03-14 | 535130314 | SCREW ITPANT | | 4 |
| 535 12 85-01 | 535128501 | CONTACT | | 1 |
| 535 12 43-03 | 535124303 | BODY | | 1 |

C



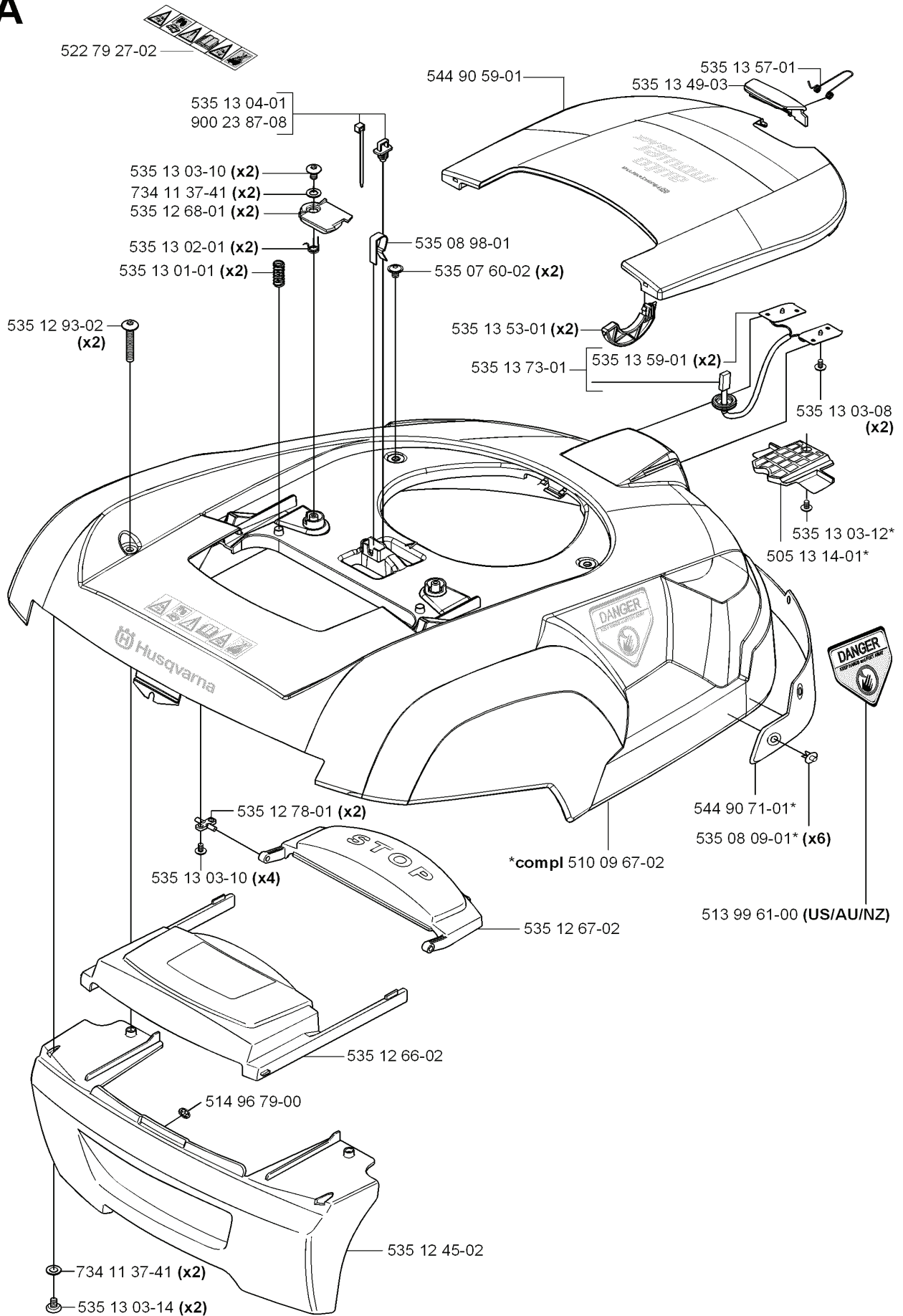
| PXM_REF | PXM_PARTNO | DESCRIPTION | PXM_REMARK | QTY. |
|--------------|------------|----------------------|-------------|------|
| 544 41 00-01 | 544410001 | PRINTED CIRCUIT ASSY | | 1 |
| 504 02 14-01 | 504021401 | SPACER | | 1 |
| 535 13 03-14 | 535130314 | SCREW ITPANT | | 2 |
| 544 90 78-01 | 544907801 | BRACKET | | 2 |
| 535 12 09-01 | 535120901 | BATTERY | | 2 |
| 502 85 96-01 | 502859601 | SCREW | | 2 |
| 501 00 42-01 | 501004201 | LOUD SPEAKER | | 1 |
| 504 02 16-01 | 504021601 | SEALING | | 1 |
| 535 12 52-01 | 535125201 | PLUG | | 1 |
| 506 49 43-03 | 506494303 | CHASSIS | | 1 |
| 544 90 58-02 | 544905802 | REAR WHEEL | | 2 |
| 504 20 08-01 | 504200801 | COVER WASHER | | 2 |
| 535 13 94-01 | 535139401 | SCREW IHCSFM | | 2 |
| 544 90 51-02 | 544905102 | HUB CAP | | 2 |
| 544 90 70-01 | 544907001 | DRIVE MOTOR | | 2 |
| 535 13 96-01 | 535139601 | CABLE HOLDER | | 1 |
| 535 12 21-02 | 535122102 | NUT | | 1 |
| 535 12 24-01 | 535122401 | LOCKING SPRING | | 1 |
| 535 13 03-10 | 535130310 | SCREW ITPANT | | 2 |
| 535 12 31-02 | 535123102 | SENSOR CARD | | 2 |
| 535 08 78-02 | 535087802 | WASHER | | 2 |
| 522 50 50-01 | 593081101 | BALL BEARING | Tube 50 pcs | 1 |
| 535 13 80-01 | 535138001 | GABLE | | 1 |
| 544 90 68-02 | 544906802 | HUB | | 1 |
| 521 93 31-01 | 521933101 | COVER WASHER | | 2 |
| 535 13 03-16 | 535130316 | SCREW ITPANT | | 8 |
| 535 08 76-01 | 535087601 | WHEEL | | 2 |
| 522 50 48-01 | 522504801 | SPINDLE | | 2 |
| 522 50 50-01 | 522505001 | BALL BEARING | | 2 |
| 522 73 66-01 | 522736601 | WASHER | | 2 |
| 735 58 41-09 | 735584109 | WASHER | | 2 |
| 523 34 37-01 | 523343701 | BEARING KIT | | 1 |
| 522 66 45-01 | 522664501 | KIT | | 1 |
| 501 00 37-03 | 501003703 | WIRING ASSY | | 1 |

B



| PXM_REF | PXM_PARTNO | DESCRIPTION | PXM_REMARK | QTY. |
|--------------|------------|--------------------|------------|------|
| 535 14 47-01 | 535144701 | FILTER | | 1 |
| 535 09 14-01 | 535091401 | DAMPER | | 2 |
| 505 17 43-01 | 505174301 | DUST SEAL | | 2 |
| 506 49 53-01 | 506495301 | RUBBER GAITERS | | 2 |
| 544 01 13-01 | 544011301 | COLUMN | | 2 |
| 535 14 32-01 | 535143201 | DEFLECTION LIMITER | | 2 |
| 506 49 40-01 | 506494001 | CHASSIS | | 1 |
| 544 12 69-01 | 544126901 | WIRING ASSY | | 1 |
| 535 12 22-01 | 535122201 | STEERING WHEEL | | 1 |
| 535 13 03-14 | 535130314 | SCREW ITPANT | | 1 |
| 535 12 79-01 | 535127901 | BRACKET | | 1 |
| 535 10 17-01 | 535101701 | SWITCH | | 1 |
| 544 89 98-02 | 544899802 | KEYBOARD | | 1 |
| 535 13 84-04 | 535138404 | PANEL ASSY | | 1 |
| 501 96 84-01 | 501968401 | SWITCH | | 1 |
| 535 12 39-01 | 535123901 | MAIN SWITCH | | 1 |
| 540 06 03-03 | 540060303 | DISPLAY | | 1 |
| 544 14 15-01 | 544141501 | SENSOR | | 2 |
| 535 12 25-01 | 535122501 | SENSOR CARD | | 1 |
| 535 07 60-02 | 535076002 | SCREW | | 2 |

A



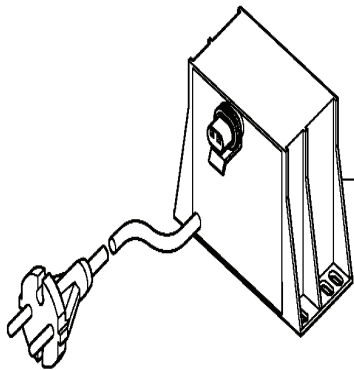
| PXM_REF | PXM_PARTNO | DESCRIPTION | PXM_REMARK | QTY. |
|-------------|------------|-----------------|------------|------|
| 900 2387-08 | 900238708 | TIE WRAP | | 1 |
| 535 1303-10 | 535130310 | SCREW ITXPANT | | 2 |
| 535 1268-01 | 535126801 | CLAMP | | 2 |
| 535 1302-01 | 535130201 | TORSION SPRING | | 2 |
| 535 1301-01 | 535130101 | SPRING | | 2 |
| 535 1293-02 | 535129302 | SCREW IH PANM | | 2 |
| 535 1278-01 | 535127801 | SHAFT | | 2 |
| 514 9679-00 | 514967900 | STARLOCK WASHER | | 1 |
| 734 1137-41 | 734113741 | WASHER | | 2 |
| 535 1303-14 | 535130314 | SCREW ITXPANT | | 2 |
| 535 1245-02 | 535124502 | MAIN BODY | | 1 |
| 535 1266-02 | 535126602 | COVER | | 1 |
| 535 1267-02 | 535126702 | SWITCH | | 1 |
| 510 0967-02 | 510096702 | BODY | | 1 |
| 535 1373-01 | 535137301 | WIRING | | 1 |
| 535 1353-01 | 535135301 | PIVOT | | 2 |
| 535 0760-02 | 535076002 | SCREW | | 2 |
| 535 0898-01 | 535089801 | CLIP | | 1 |
| 544 9059-01 | 544905901 | COVER | | 1 |
| 535 1357-01 | 535135701 | TORSION SPRING | | 1 |
| 535 1349-03 | 535134903 | LOCK | | 1 |
| 535 1359-01 | 535135901 | CHARGING PLATE | | 2 |
| 535 1303-08 | 535130308 | SCREW ITXPANT | | 2 |
| 535 1303-12 | 535130312 | SCREW ITXPANT | | 1 |
| 505 1314-01 | 505131401 | SPACER | | 1 |
| 544 9071-01 | 544907101 | BUMPER | | 1 |
| 535 0809-01 | 535080901 | RIVET | | 6 |
| 513 9961-00 | 513996100 | DECAL | | 1 |



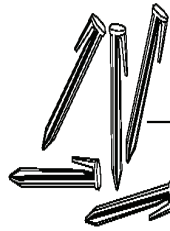
| | | |
|--|--------------|-------------|
| Quick Guide 220 AC & 230 ACX | 115 13 05-XX | (US is -26) |
| Quick Guide 210 C | 115 13 03-XX | (US is -26) |
| Quick Guide Solar Hybrid | 115 09 82-XX | (US is -26) |
| Owner's Manual 220 AC & 230 ACX | 115 13 04-XX | |
| Owner's Manual 210 C | 115 13 02-XX | |
| Owner's Manual Solar Hybrid | 115 09 81-XX | |
| Technical Handbook 2008 | 115 09 80-XX | |

- 01 Svenska
- 06 Dansk
- 11 Soumi
- 21 Norsk
- 26 GB English
- 31 Français
- 32 CA Français
- 36 Nederlands
- 41 Italiano
- 46 Español
- 51 Deutsch
- 56 Русский
- 58 Magyar
- 61 Polski
- 63 Eesti
- 64 Latviski
- 65 Lietuvių
- 68 Slovák
- 84 Slovenčina
- 90 Český
- 95 US English
- 96 US Español

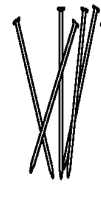
G



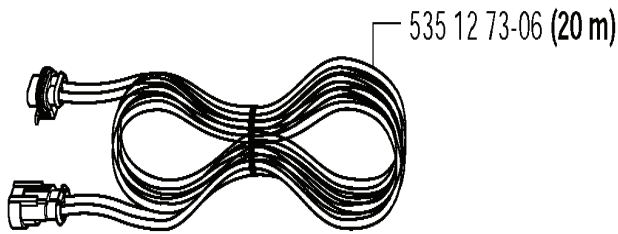
- 501 00 44-01 (EU)
- 501 00 44-02 (UK/IRL)
- 501 00 44-03 (CH)
- 501 00 44-04 (US)
- 501 00 44-05 (AU/NZ)



504 04 97-01 (100 pcs)



535 08 89-01 (6 pcs)



535 12 73-06 (20 m)



501 98 03-02 (150 m)



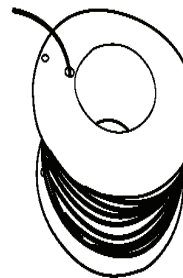
535 12 90-01



501 98 03-01 (250 m)



501 98 02-01 (1 pcs)



522 91 41-01 (500 m, Ø3.4 mm)



501 98 02-02 (50 pcs)



544 17 75-01



535 13 16-01

| PXM_REF | PXM_PARTNO | DESCRIPTION | PXM_REMARK | QTY. |
|--------------|------------|----------------|------------|------|
| 501 00 44-01 | 501004401 | POWER UNIT | | 1 |
| 501 00 44-02 | 501004402 | POWER UNIT | | 1 |
| 501 00 44-03 | 501004403 | POWER UNIT | | 1 |
| 501 00 44-04 | 501004404 | TRANSFORMER | | 1 |
| 501 00 44-05 | 501004405 | TRANSFORMER | | 1 |
| 535 12 73-06 | 535127306 | CABLE | | 1 |
| 535 12 90-01 | 535129001 | CONNECTOR | | 1 |
| 501 98 02-01 | 501980201 | COUPLER | | 1 |
| 501 98 02-02 | 501980202 | COUPLER | | 1 |
| 544 17 75-01 | 544177501 | MEASURING TAPE | | 1 |
| 535 13 16-01 | 535131601 | LABEL | | 1 |
| 522 91 41-01 | 522914101 | WIRE | | 1 |
| 501 98 03-01 | 501980301 | WIRE | | 1 |
| 501 98 03-02 | 501980302 | WIRE | | 1 |
| 535 08 89-01 | 535088901 | STAPLE | | 1 |
| 504 04 97-01 | 504049701 | STAPLE | | 1 |
| | PXM_PARTNO | | PXM_REMARK | |