

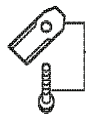
**HUSQVARNA - SPARE PARTS CATALOGUE**  
**: HUSQVARNA AUTOMOWER® 230 ACX**

Spare parts list

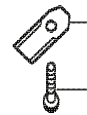
---

# **SPARE PARTS LIST**

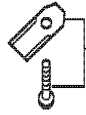
**H** Accessories  
 Zubehöre  
 Accessoires  
 Accesorios  
 Tillbehör



535 13 87-01 (9 pcs Original)



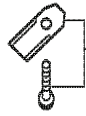
535 13 87-02 (9 pcs)



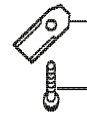
535 13 88-01 (30 pcs Original)



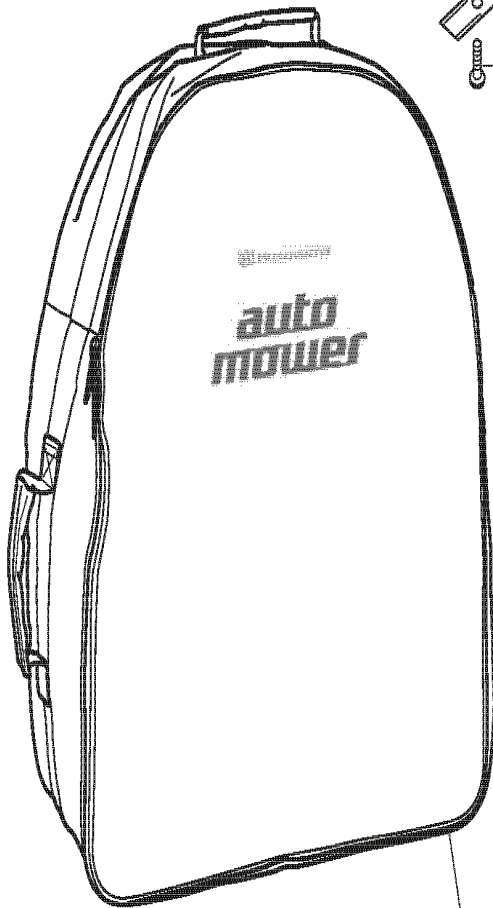
535 13 88-02 (30 pcs)



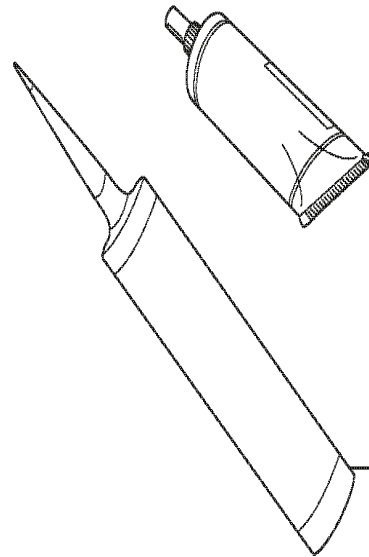
505 12 78-01 (500 pcs Original)



505 12 78-02 (500 pcs)

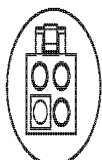


505 69 99-91

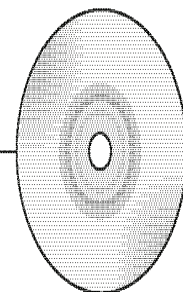


535 14 12-01 (85 ml)

535 14 12-02 (300 ml)



CD Autocheck 2008 535 14 27-06

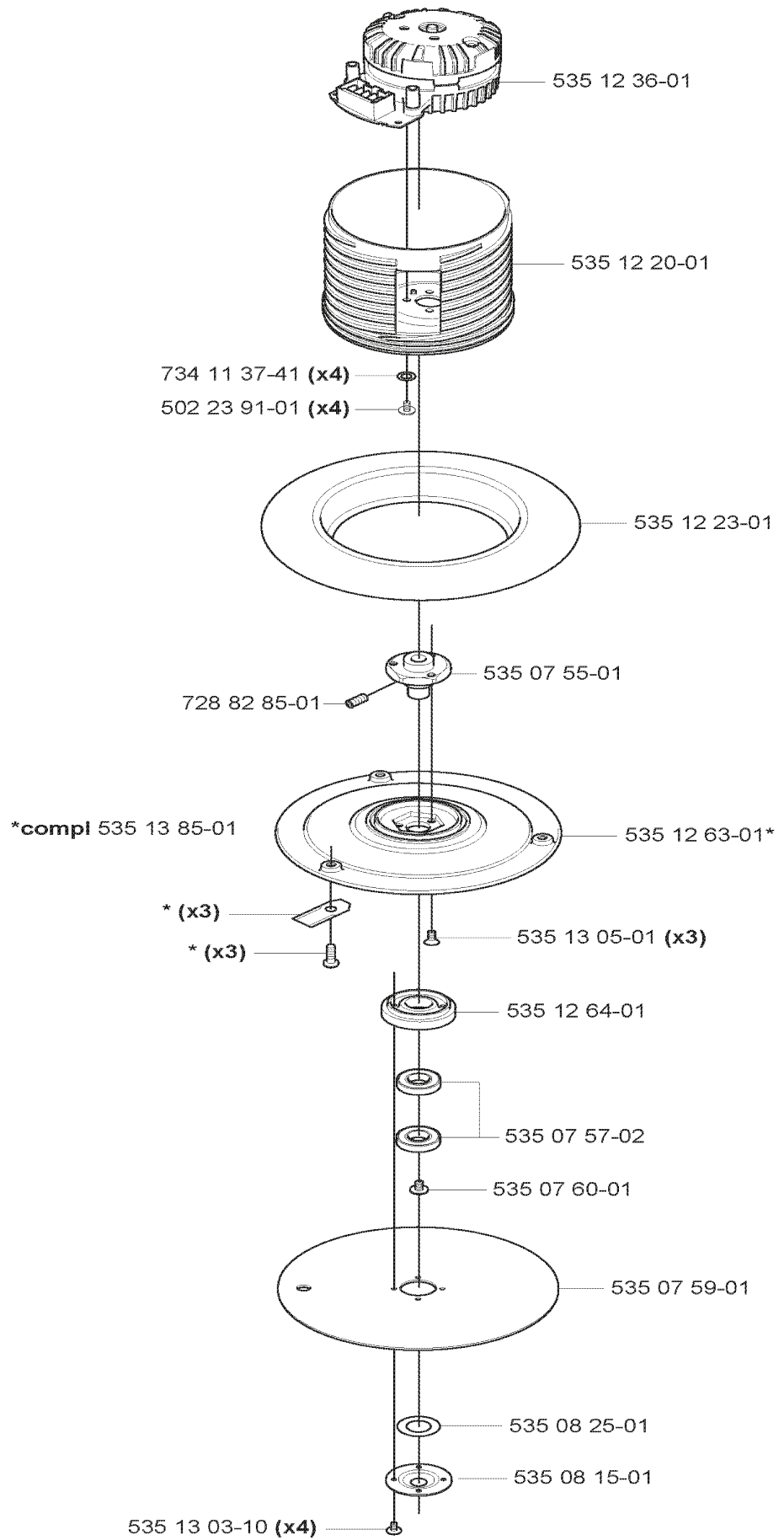


535 13 23-02 Automower-PC Cable (USB)

---

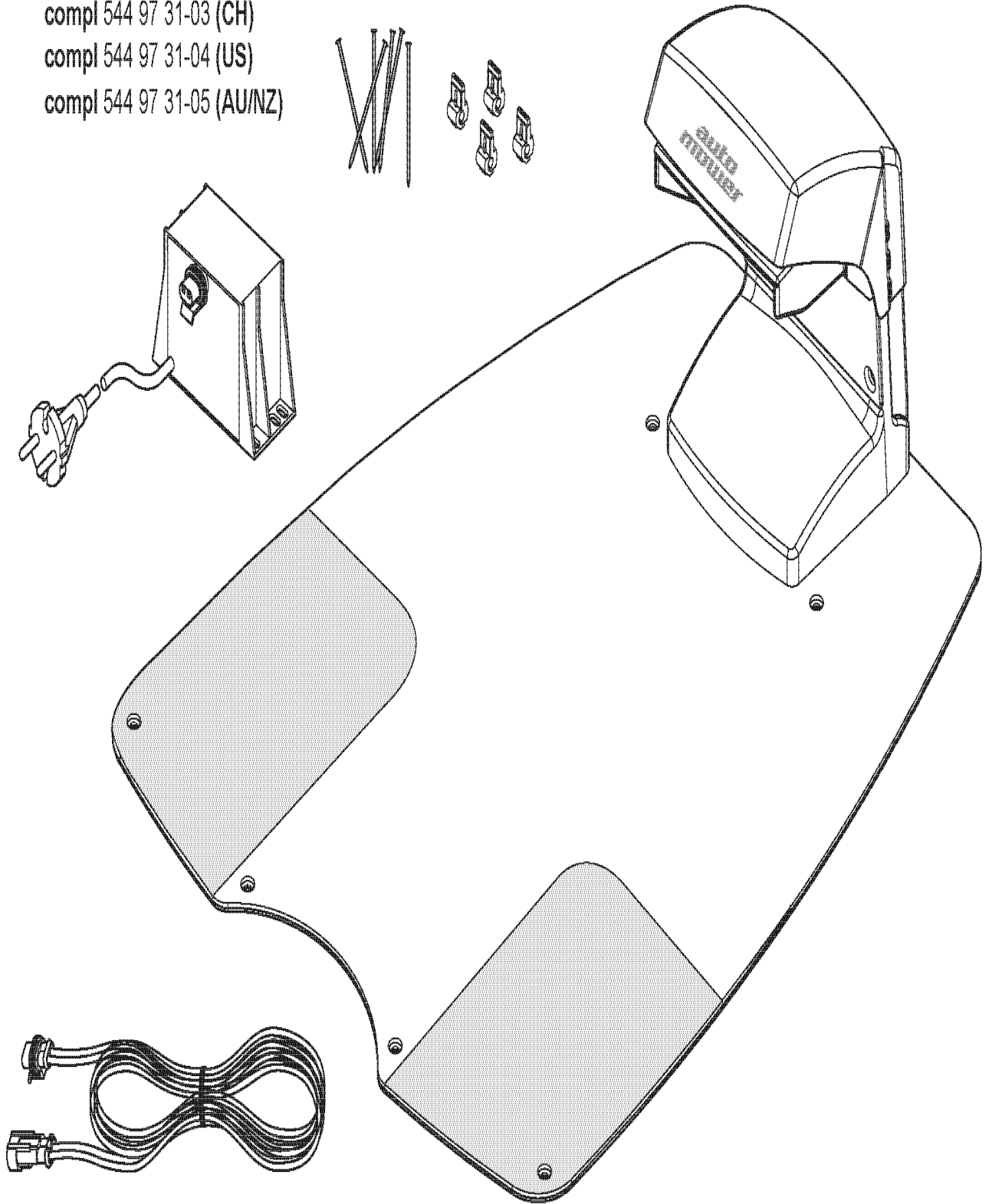
PXM_REF	PXM_PARTNO	DESCRIPTION	PXM_REMARK	QTY.
535 1387-01	535138701	BLADE		1
535 1388-01	535138801	KIT		1
505 1278-01	505127801	BLADE SET		1
505 6999-91	505699991	BAG		1
535 1427-06	535142706	CD		1
535 1323-02	535132302	WIRING		1
535 1412-02	535141202	SEALING		1
535 1412-01	535141201	SEALING		1
505 1278-02	505127802	BLADE SET		1
535 1388-02	535138802	BLADE SET		1
535 1387-02	535138702	BLADE SET		1

# D



PXM_REF	PXM_PARTNO	DESCRIPTION	PXM_REMARK	QTY.
734 11 37-41	734113741	WASHER		4
502 23 91-01	502239101	SCREW		4
728 82 85-01	728828501	SCREW IHSETM		1
535 13 85-01	535138501	KIT		1
535 13 03-10	535130310	SCREW ITPANT		4
535 08 15-01	535081501	COVER WASHER		1
535 08 25-01	535082501	GASKET		1
535 07 59-01	535075901	SKID PLATE		1
535 07 60-01	535076001	SCREW		1
535 07 57-02	593080801	BALL BEARING	Tube 50 pcs	1
535 07 57-02	535075702	BALL BEARING		1
535 12 64-01	535126401	HOUSING		1
535 13 05-01	535130501	SCREW		3
535 12 63-01	535126301	CUTTING DISC		1
535 07 55-01	535075501	HUB		1
535 12 23-01	535122301	RUBBER GAITERS		1
535 12 20-01	535122001	MOTOR BOWL		1
535 12 36-01	535123601	MOTOR ASSY		1

- F** compl 544 97 31-01 (EU)  
compl 544 97 31-02 (UK)  
compl 544 97 31-03 (CH)  
compl 544 97 31-04 (US)  
compl 544 97 31-05 (AU/NZ)

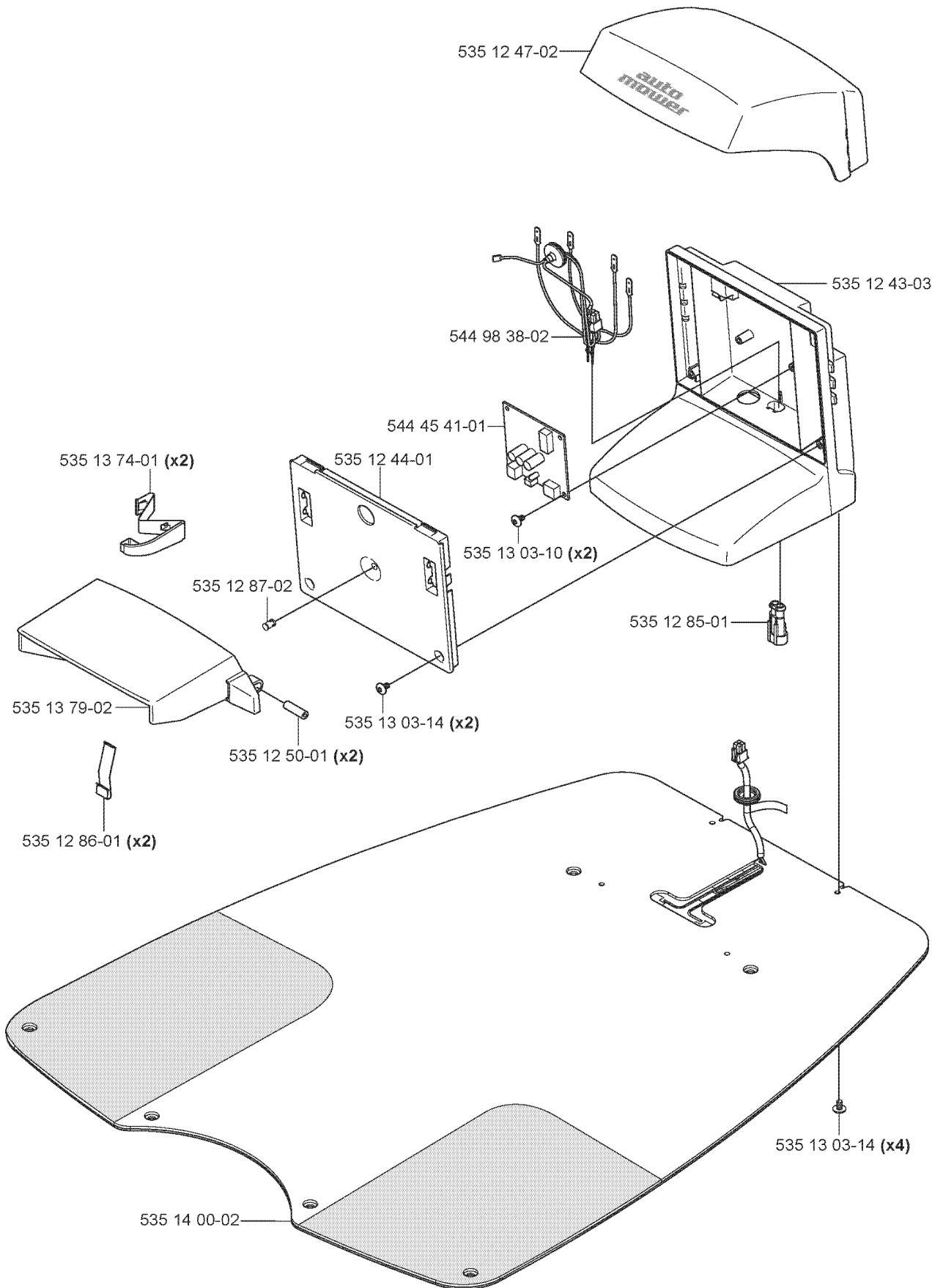


---

PXM_REF	PXM_PARTNO	DESCRIPTION	PXM_REMARK	QTY.
544 97 31-01	544973101	CHARGING STATION		1
544 97 31-02	544973102	CHARGING STATION		1
544 97 31-03	544973103	CHARGING STATION		1
544 97 31-04	544973104	CHARGING STATION		1
544 97 31-05	544973105	CHARGING STATION		1



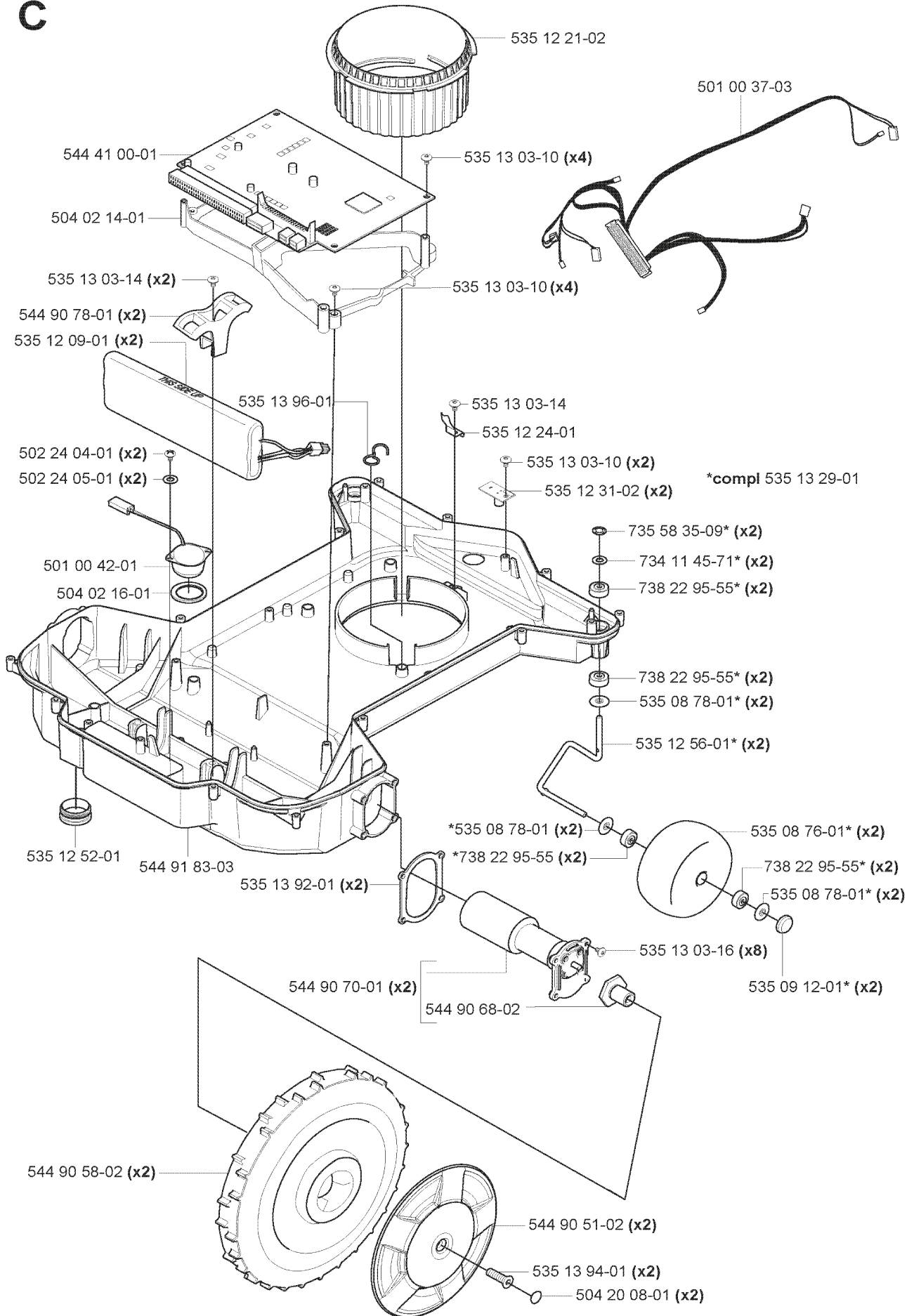
**E** compl 504 05 37-01



---

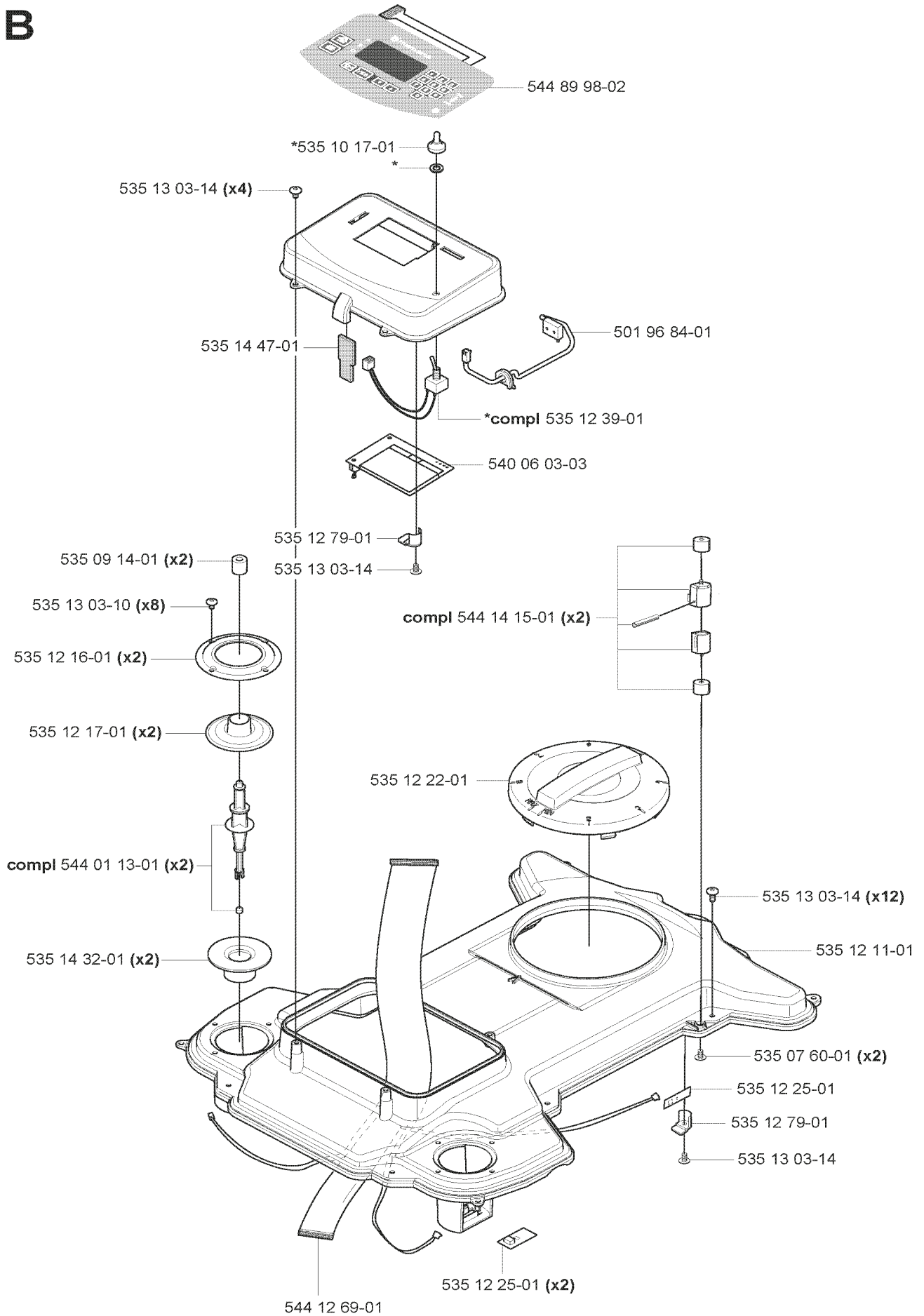
PXM_REF	PXM_PARTNO	DESCRIPTION	PXM_REMARK	QTY.
504 05 37-01	504053701	CHARGING STATION		1
535 12 47-02	535124702	COVER		1
544 98 38-02	544983802	WIRING ASSY		1
544 45 41-01	544454101	CIRCUIT BOARD ASSY		1
535 12 44-01	535124401	HUB CAP		1
535 13 74-01	535137401	CHARGING PLATE		2
535 12 87-02	535128702	DIODE LENS		1
535 12 50-01	535125001	PEN		2
535 13 79-02	535137902	RETAINER		1
535 12 86-01	535128601	SPRING PLATE		2
535 14 00-02	535140002	FRAME PLATE		1
535 13 03-14	535130314	SCREW ITPANT		4
535 12 85-01	535128501	CONTACT		1
535 13 03-10	535130310	SCREW ITPANT		2
535 12 43-03	535124303	BODY		1

C



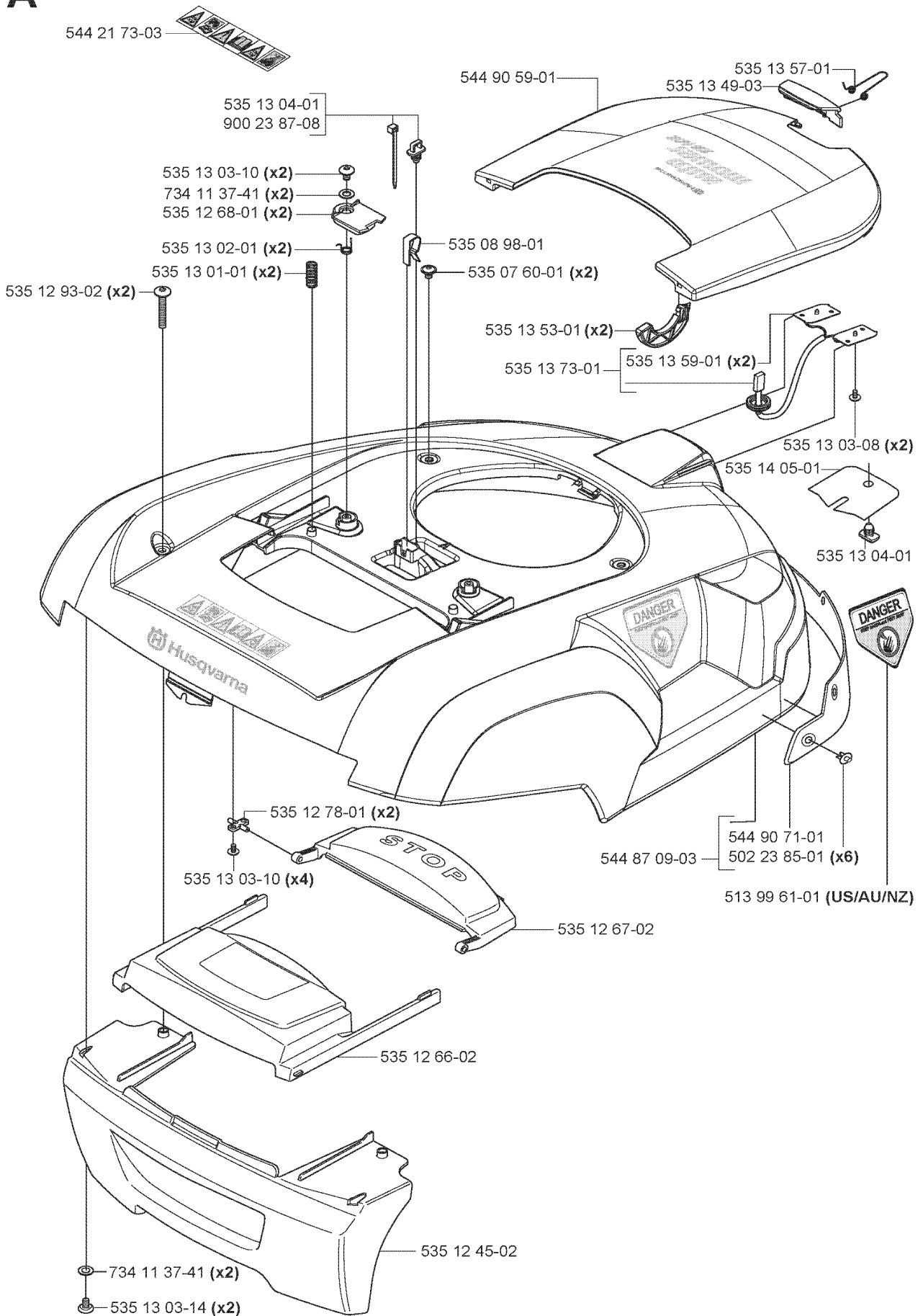
PXM_REF	PXM_PARTNO	DESCRIPTION	PXM_REMARK	QTY.
544 41 00-01	544410001	PRINTED CIRCUIT ASSY		1
504 02 14-01	504021401	SPACER		1
535 13 03-14	535130314	SCREW ITPANT		2
544 90 78-01	544907801	BRACKET		2
535 12 09-01	535120901	BATTERY		2
535 13 96-01	535139601	CABLE HOLDER		1
502 24 04-01	502240401	SCREW		2
502 24 05-01	502240501	WASHER		2
501 00 42-01	501004201	LOUD SPEAKER		1
504 02 16-01	504021601	SEALING		1
535 12 52-01	535125201	PLUG		1
544 91 83-03	544918303	CHASSIS		1
535 13 92-01	535139201	GASKET		2
544 90 70-01	544907001	DRIVE MOTOR		2
544 90 58-02	544905802	REAR WHEEL		2
504 20 08-01	504200801	COVER WASHER		2
535 13 94-01	535139401	SCREW IHCSFM		2
544 90 51-02	544905102	HUB CAP		2
544 90 68-02	544906802	HUB		1
535 09 12-01	535091201	WASHER		2
535 13 03-16	535130316	SCREW ITPANT		8
535 08 76-01	535087601	WHEEL		2
738 22 95-55	738229555	BALL BEARING		2
535 12 56-01	535125601	SPINDLE SHAFT		2
535 08 78-01	535087801	COVER WASHER		2
734 11 45-71	734114571	WASHER		2
735 58 35-09	735583509	WASHER		2
535 13 29-01	535132901	KIT		1
535 12 31-02	535123102	SENSOR CARD		2
535 12 24-01	535122401	LOCKING SPRING		1
535 13 03-10	535130310	SCREW ITPANT		4
501 00 37-03	501003703	WIRING ASSY		1
535 12 21-02	535122102	NUT		1

# B



PXM_REF	PXM_PARTNO	DESCRIPTION	PXM_REMARK	QTY.
535 10 17-01	535101701	SWITCH		1
535 14 47-01	535144701	FILTER		1
535 12 79-01	535127901	BRACKET		1
535 09 14-01	535091401	DAMPER		2
535 13 03-10	535130310	SCREW ITPANT		8
535 12 16-01	535121601	RING FASTENER		2
535 12 17-01	535121701	RUBBER GAITERS		2
544 01 13-01	544011301	COLUMN		2
535 14 32-01	535143201	DEFLECTION LIMITER		2
544 12 69-01	544126901	WIRING ASSY		1
535 12 25-01	535122501	SENSOR CARD		2
535 13 03-14	535130314	SCREW ITPANT		1
535 07 60-01	535076001	SCREW		2
535 12 11-01	535121101	CHASSIS		1
535 12 22-01	535122201	STEERING WHEEL		1
544 14 15-01	544141501	SENSOR		2
540 06 03-03	540060303	DISPLAY		1
535 12 39-01	535123901	MAIN SWITCH		1
501 96 84-01	501968401	SWITCH		1
544 89 98-02	544899802	KEYBOARD		1

**A**



PXM_REF	PXM_PARTNO	DESCRIPTION	PXM_REMARK	QTY.
544 21 73-03	544217303	LABEL		1
900 23 87-08	900238708	TIE WRAP		1
734 11 37-41	734113741	WASHER		2
535 12 68-01	535126801	CLAMP		2
535 13 02-01	535130201	TORSION SPRING		2
535 13 01-01	535130101	SPRING		2
535 12 93-02	535129302	SCREW IH PANM		2
535 12 78-01	535127801	SHAFT		2
535 13 03-10	535130310	SCREW ITPANT		4
535 13 03-14	535130314	SCREW ITPANT		2
535 12 45-02	535124502	MAIN BODY		1
535 12 66-02	535126602	COVER		1
535 12 67-02	535126702	SWITCH		1
544 87 09-03	544870903	MAIN BODY		1
513 99 61-01	513996101	DECAL		1
502 23 85-01	502238501	RIVET		6
544 90 71-01	544907101	BUMPER		1
535 13 04-01	535130401	ANCHOR		1
535 14 05-01	535140501	PROTECTIVE WASHER		1
535 13 03-08	535130308	SCREW ITPANT		2
535 13 59-01	535135901	CHARGING PLATE		2
535 13 73-01	535137301	WIRING		1
535 13 53-01	535135301	PIVOT		2
535 07 60-01	535076001	SCREW		2
535 08 98-01	535089801	CLIP		1
544 90 59-01	544905901	COVER		1
535 13 49-03	535134903	LOCK		1
535 13 57-01	535135701	TORSION SPRING		1



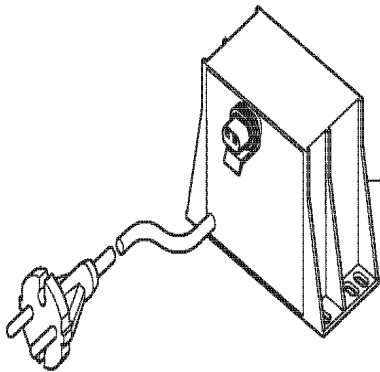


<b>Quick Guide 220 AC &amp; 230 ACX</b>	115 09 69-XX	(US is -26)
<b>Quick Guide 210 C</b>	115 09 68-XX	(US is -26)
<b>Quick Guide Solar Hybrid</b>	115 09 82-XX	(US is -26)
<b>Owner's Manual 220 AC &amp; 230 ACX</b>	115 09 67-XX	
<b>Owner's Manual 210 C</b>	115 09 66-XX	
<b>Owner's Manual Solar Hybrid</b>	115 09 81-XX	
<b>Technical Handbook 2008</b>	115 09 80-XX	

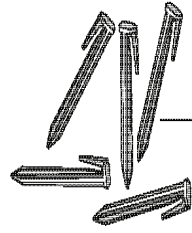
- 01 Svenska
- 06 Dansk
- 11 Soumi
- 21 Norsk
- 26 GB English
- 31 Français
- 36 Nederlands
- 41 Italiano
- 46 Español
- 51 Deutsch
- 56 Русский
- 59 Português
- 61 Polski
- 63 Eesti
- 64 Latviski
- 65 Lietuvių
- 68 Slovák
- 84 Slovenčina
- 90 Český
- 95 US English



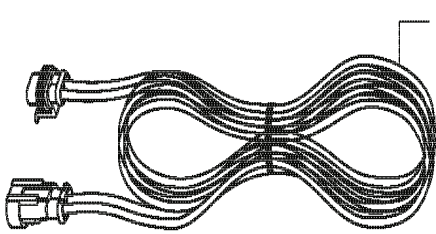
# G



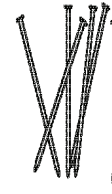
- 501 00 44-01 (EU)
- 501 00 44-02 (UK/IRL)
- 501 00 44-03 (CH)
- 501 00 44-04 (US)
- 501 00 44-05 (AU/NZ)



504 04 97-01 (100 pcs)



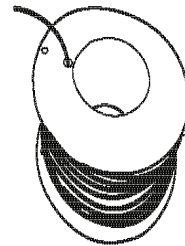
535 12 73-06 (20 m)



535 08 89-01 (6 pcs)



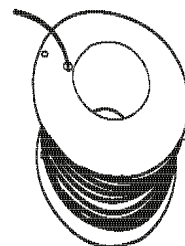
535 12 90-01



501 98 03-01 (250 m)



501 98 02-01 (1 pcs)



501 98 03-02 (150 m)



501 98 02-02 (50 pcs)



544 17 75-01



535 13 16-01

PXM_REF	PXM_PARTNO	DESCRIPTION	PXM_REMARK	QTY.
501 00 44-01	501004401	POWER UNIT		1
501 00 44-02	501004402	POWER UNIT		1
501 00 44-03	501004403	POWER UNIT		1
501 00 44-04	501004404	TRANSFORMER		1
501 00 44-05	501004405	TRANSFORMER		1
535 12 73-06	535127306	CABLE		1
535 12 90-01	535129001	CONNECTOR		1
501 98 02-01	501980201	COUPLER		1
501 98 02-02	501980202	COUPLER		1
544 17 75-01	544177501	MEASURING TAPE		1
535 13 16-01	535131601	LABEL		1
501 98 03-02	501980302	WIRE		1
501 98 03-01	501980301	WIRE		1
535 08 89-01	535088901	STAPLE		1
504 04 97-01	504049701	STAPLE		1
	PXM_PARTNO		PXM_REMARK	