

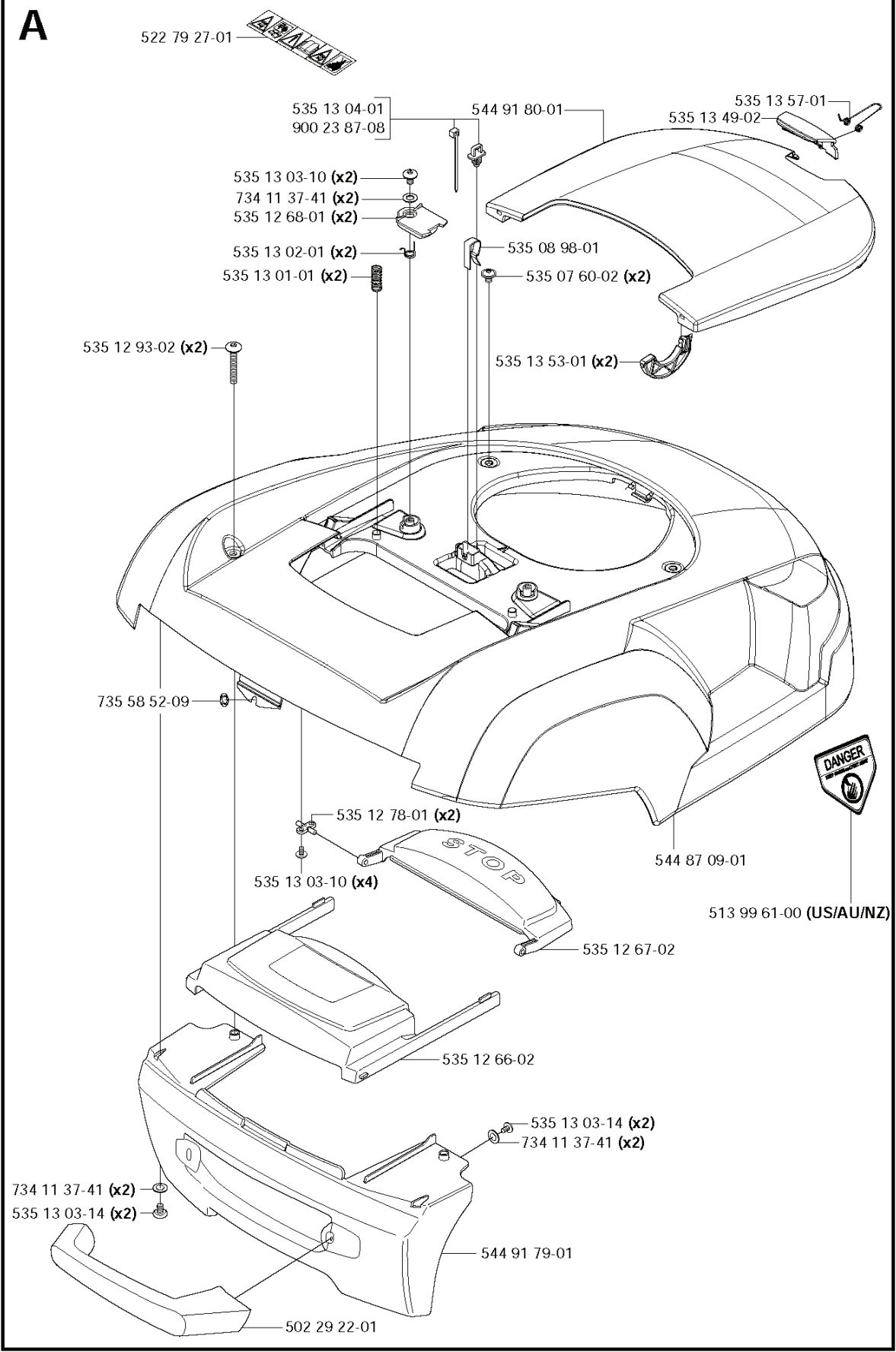
HUSQVARNA - SPARE PARTS CATALOGUE

: HUSQVARNA AUTOMOWER® 210 C

Spare parts list

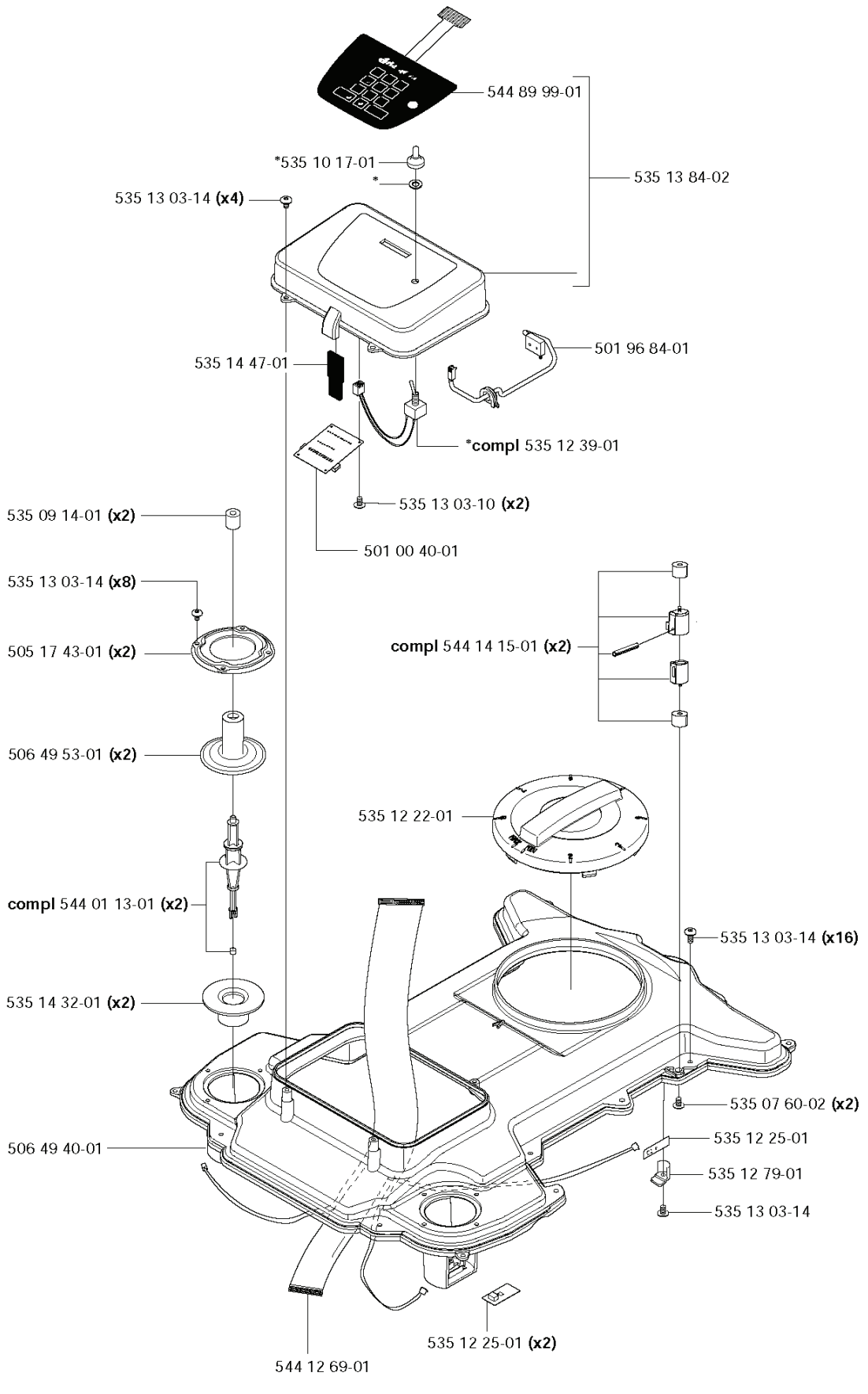
SPARE PARTS LIST

A



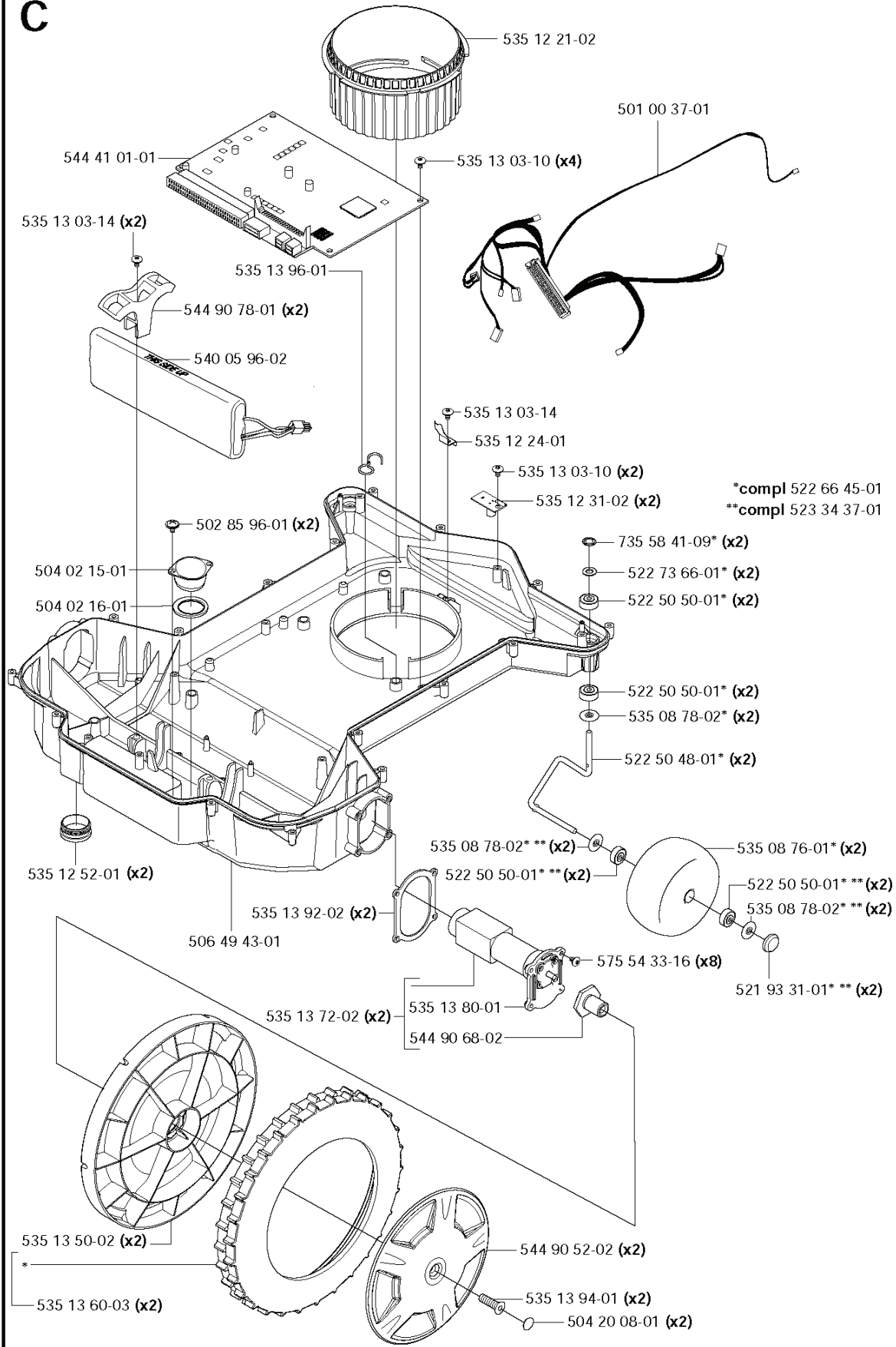
PXM_REF	PXM_PARTNO	DESCRIPTION	PXM_REMARK	QTY.
1	522792701	LABEL		1
2	535130401	ANCHOR		1
3	900238708	TIE WRAP		1
4	535126801	CLAMP		2
5	734113741	WASHER		2
6	535130310	SCREW ITXPANT		2
7	535130101	SPRING		2
8	535130201	TORSION SPRING		2
9	535129302	SCREW IH PANM		2
10	735585209	WASHER		1
11	535127801	SHAFT		2
12	535130310	SCREW ITXPANT		4
13	734113741	WASHER		2
14	535130314	SCREW ITXPANT		2
15	502292201	HANDLE		1
16	544917901	BODY		1
17	734113741	WASHER		2
18	535130314	SCREW ITXPANT		2
19	535126602	COVER		1
20	535126702	SWITCH		1
21	513996100	DECAL		1
22	544870901	MAIN BODY		1
23	535135301	PIVOT		2
24	535076002	SCREW	For 2008-05 models	2
25	535076001	SCREW	For 2008-02 models	1
26	535089801	CLIP		1
27	544918001	COVER		1
28	535134902	LOCK		1
29	535135701	TORSION SPRING		1

B



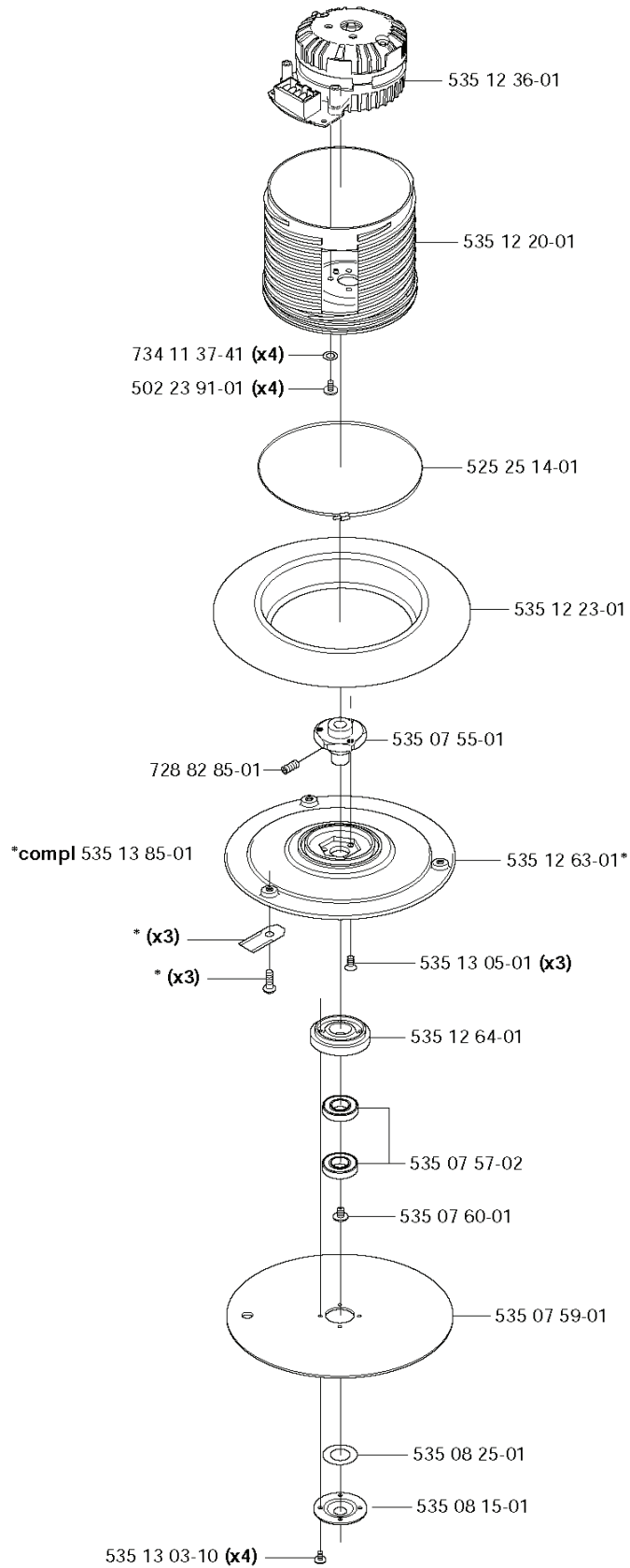
PXM_REF	PXM_PARTNO	DESCRIPTION	PXM_REMARK	QTY.
1	544899901	KEYBOARD		1
2	535101701	SWITCH		1
3	535138402	KIT		1
4	535130314	SCREW ITXPANT		4
5	535144701	FILTER		1
6	501968401	SWITCH		1
7	535123901	MAIN SWITCH		1
8	535130310	SCREW ITXPANT		2
9	501004001	PRINTED CIRCUIT ASSY		1
10	535091401	DAMPER		2
11	535130314	SCREW ITXPANT		8
12	505174301	DUST SEAL		2
13	506495301	RUBBER GAITERS		2
14	544011301	COLUMN		2
15	535143201	DEFLECTION LIMITER		2
16	506494001	CHASSIS		1
17	544126901	WIRING ASSY		1
18	535122501	SENSOR CARD		2
19	535076002	SCREW	For 2008-05 models	2
20	535076001	SCREW	For 2008-02 models	1
21	535130314	SCREW ITXPANT		1
22	535127901	BRACKET		1
23	535122501	SENSOR CARD		1
24	535130314	SCREW ITXPANT		16
25	535122201	STEERING WHEEL		1
26	544141501	SENSOR		2

C



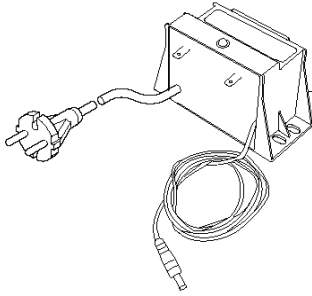
PXM_REF	PXM_PARTNO	DESCRIPTION	PXM_REMARK	QTY.
1	544410101	PRINTED CIRCUIT ASSY		1
2	535130314	SCREW ITXPANT		2
3	535139601	CABLE HOLDER		1
4	544907801	BRACKET		2
5	540059602	BATTERY		1
6	502859601	SCREW		2
7	504021601	SEALING		1
8	504021501	BRACKET		1
9	535125201	PLUG		2
10	535139202	GASKET		2
11	506494301	CHASSIS		1
12	535137202	MOTOR		2
13	535135002	WHEEL		2
14	535136003	WHEEL		2
15	535139401	SCREW IHCSFM		2
16	544905202	HUB CAP		2
17	504200801	COVER WASHER		2
18	544906802	HUB		1
19	535138001	GABLE		1
20	575543316	SCREW		8
21	521933101	COVER WASHER		2
22	535087802	WASHER		2
23	522505001	BALL BEARING		2
24	535087601	WHEEL		2
25	522505001	BALL BEARING		2
25	593081101	BALL BEARING	Tube 50 pcs	1
26	522505001	BALL BEARING		2
27	522504801	SPINDLE		2
28	535087802	WASHER		2
29	735584109	WASHER		2
30	522736601	WASHER		2
31	522664501	KIT		1
32	523343701	BEARING KIT		1
33	535130314	SCREW ITXPANT		1
34	535122401	LOCKING SPRING		1
35	535123102	SENSOR CARD		2
36	535130310	SCREW ITXPANT		2
37	535130310	SCREW ITXPANT		4
38	501003701	WIRING ASSY		1
39	535122102	NUT		1

D

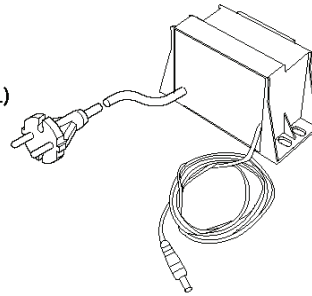


PXM_REF	PXM_PARTNO	DESCRIPTION	PXM_REMARK	QTY.
1	535122001	MOTOR BOWL		1
2	535123601	MOTOR ASSY		1
3	502239101	SCREW		4
4	734113741	WASHER		4
5	535122301	RUBBER GAITERS		1
6	525251401	TIE WRAP		1
7	535075501	HUB		1
8	728828501	SCREW IHSETM		1
9	535126301	CUTTING DISC		1
10	535130501	SCREW		3
11	535076001	SCREW		1
12	535075702	BALL BEARING		1
12	593080801	BALL BEARING	Tube 50 pcs	1
13	535126401	HOUSING		1
14	535075901	SKID PLATE		1
15	535081501	COVER WASHER		1
16	535082501	GASKET		1
17	535130310	SCREW ITXPANT		1

E



- 544 97 70-01 (EU)
- 544 97 70-02 (UK+IRL)
- 544 97 70-03 (CH)
- 544 97 70-04 (US)
- 544 97 70-05 (AU/NZ)
- 544 97 70-06 (MX)



- 544 97 74-01 (EU)
- 544 97 74-02 (UK+IRL)
- 544 97 74-03 (CH)
- 544 97 74-04 (US)
- 544 97 74-05 (AU/NZ)
- 544 97 74-06 (MX)



535 12 90-01



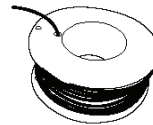
504 04 97-01 (100 pcs)



501 98 02-01 (1 pcs)



501 98 02-02 (50 pcs)



501 98 03-01 (250 m)



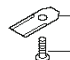
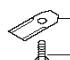
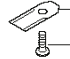
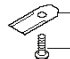

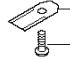
501 98 03-02 (150 m)

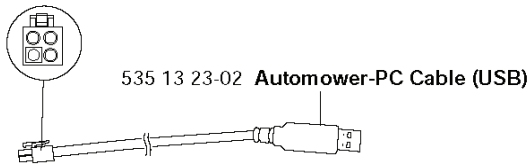
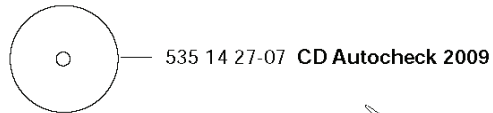


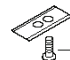
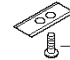

544 17 75-01

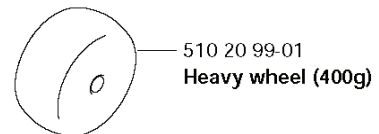
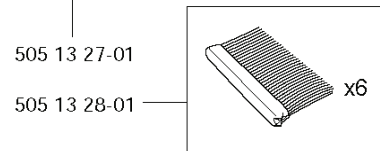
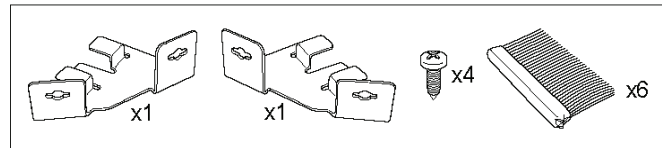
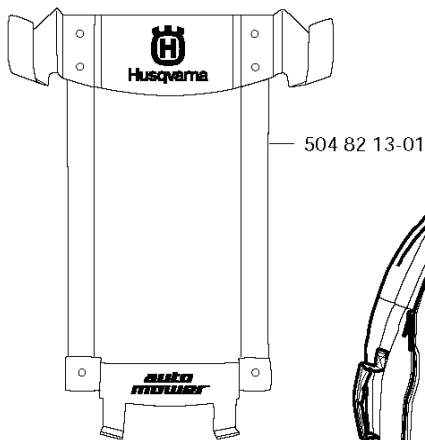
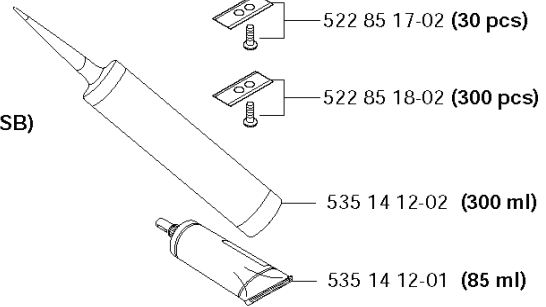
PXM_REF	PXM_PARTNO	DESCRIPTION	PXM_REMARK	QTY.
1	544977001	LOOP GENERATOR		1
2	544977002	LOOP GENERATOR		1
3	544977003	LOOP GENERATOR		1
4	544977005	LOOP GENERATOR		1
5	544977004	LOOP GENERATOR		1
6	544977006	LOOP GENERATOR		1
7	544977401	BATTERY CHARGER		1
8	544977402	BATTERY CHARGER		1
9	544977403	BATTERY CHARGER		1
10	544977405	BATTERY CHARGER		1
11	544977404	BATTERY CHARGER		1
12	544977406	BATTERY CHARGER		1
13	535129001	CONNECTOR		1
14	501980201	COUPLER		1
15	501980202	COUPLER		50
16	544177501	MEASURING TAPE		1
17	504049701	STAPLE		100
18	501980301	WIRE		1
19	501980302	WIRE		1

F Accessories
 Zubehöre
 Accessoires
 Accesorios
 Tillbehör

-  535 13 87-01 (9 pcs Original)  535 13 87-02 (9 pcs)
-  535 13 88-01 (30 pcs Original)  535 13 88-02 (30 pcs)
-  505 12 78-01 (500 pcs Original)  505 12 78-02 (500 pcs)



-  522 85 16-02 (9 pcs)
-  522 85 17-02 (30 pcs)
-  522 85 18-02 (300 pcs)



PXM_REF	PXM_PARTNO	DESCRIPTION	PXM_REMARK	QTY.
1	535138801	KIT		1
2	505127801	BLADE SET		1
3	535138701	BLADE		1
4	535142707	CD		1
5	535132302	WIRING		1
6	535138802	BLADE SET		1
7	505127802	BLADE SET		1
8	535138702	BLADE SET		1
9	535141201	SEALING		1
10	535141202	SEALING		1
11	522851702	BLADE SET		1
12	522851802	BLADE SET		1
13	522851602	BLADE SET		1
14	504821301	WALL HANGER		1
15	505132701	BRUSH KIT		1
16	505132801	BRUSH		1
17	522916701	BAG		1
18	510209901	WHEEL		1